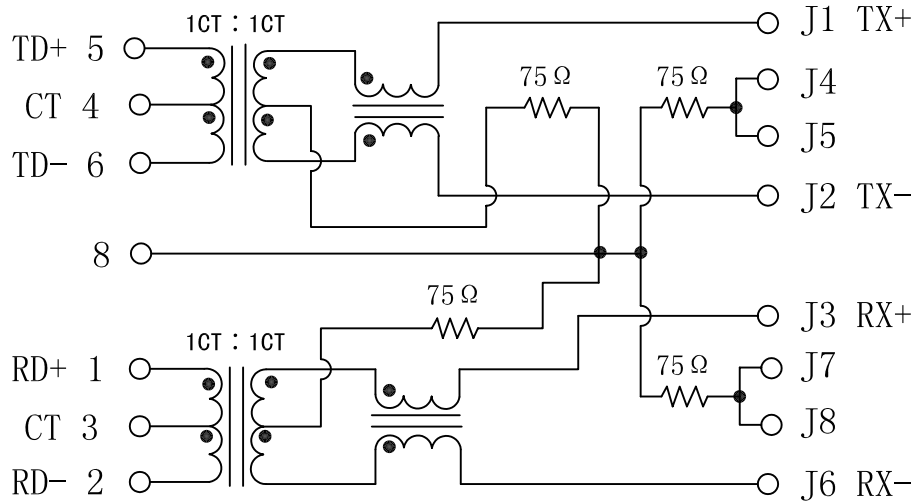


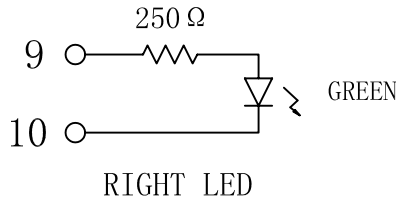
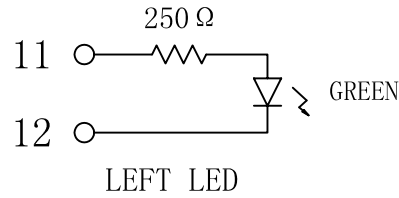
# Schematic:

REV.	ECN NO.	DESCRIPTION	DATE	APPD
A	REL		2012/05/14	

LAN CHIP SIDE



RJ CABLE SIDE



## Electrical Specifications @25°C

- Turns Ratio ( $\pm 2\%$ ) :  
TX=1CT:1CT      RX=1CT:1CT
- Primary Inductance(1-2, 5-6): 350uH min  
@100KHz, 0.1Vrms, 8mA DC bias
- Insertion Loss:  
0.5-100MHz: -1.1dB Max
- Return Loss(dB Min) :  
0.5-30MHz:-18;  
30.1-60MHz:-[18-20LOG(f/30)]  
60.1-80MHz:-12
- Crosstalk(dB Min):  
0.5-40MHz: -35  
40.1-100MHz: -[33-20LOG(f/50)]
- Common Mode Rejection Ratio:  
0.5-100MHz: -30dB Min
- Hipot Test: 1500Vrms
- Operating Temperature: 0°C ~70°C.



X:X	$\pm 0.20$	APPD:	LINK-PP INT'L TECHNOLOGY CO., LIMITED
X:XX	$\pm 0.10$	CHKD:	
X:XXX	$\pm 0.05$	DR: TOM	
ANGLES	$\pm 1^\circ$	UNIT: mm	Part No.: LPJ16264-1AZNL
	SCALE: 2/1	SHEET: 1/2	REV: A    DWG NO: LP12051402

