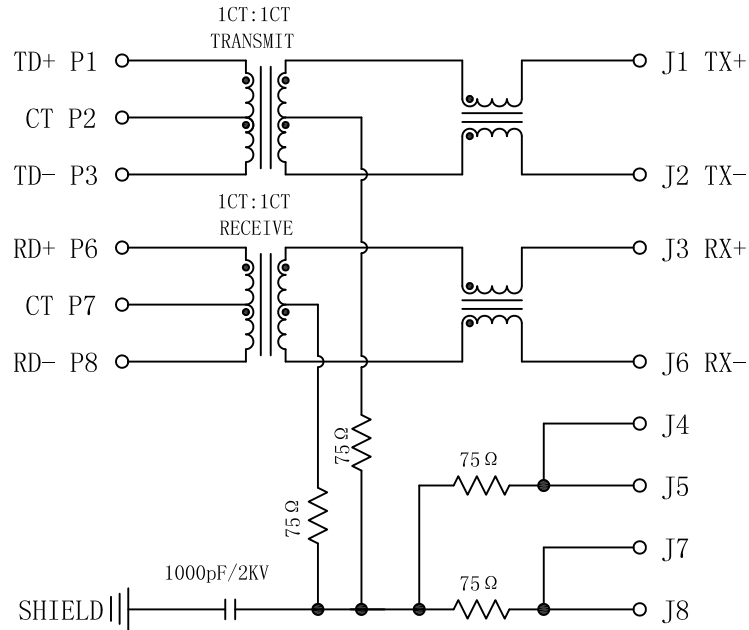


Schematic:

REV.	ECN NO.	DESCRIPTION	DATE	APPD
A	REL		2014-07-28	

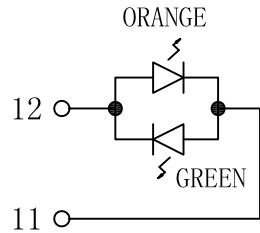
PC BOARD CONNECTIONS



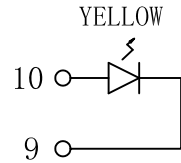
RJ45 CONNECTOR

ELECTRICAL SPECIFICATIONS @25°C

- Turn Ratio(±3%):
TX=1CT : 1CT RX=1CT : 1CT
- Inductance OCL:
350uH MIN @100KHz, 0.1V, 8mA DC Bias
- DCR:
Pins: (P1,P3), (P6,P8)=1.2 OHMS Max
- Insertion Loss:
-1.0dB MAX @ 0.3-100MHz
- Return Loss:
-20dB MIN @ 1-30MHz
-15dB MIN @ 30-60MHz
-10dB MIN @ 60-80MHz
- Cross talk:
-30dB MIN @ 1-100MHz
- Common To Common Mode Rejection:
-30dB MIN @ 1-100MHz
- Hipot Test:1500Vrms/1mA/2Sec
- Operating Temperature Range: 0°C TO 70°C



LEFT LED



RIGHT LED

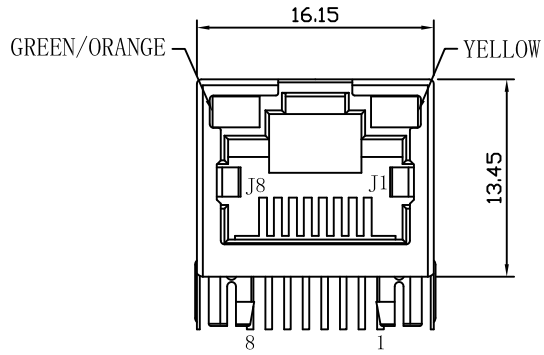
Emitting Color	λ p(nm)	VF@IF=20mA	IR @VR=5V
Green/Orange	570/610	1.8~2.6V	10 μ A max
Yellow	585	1.8~2.6V	10 μ A max



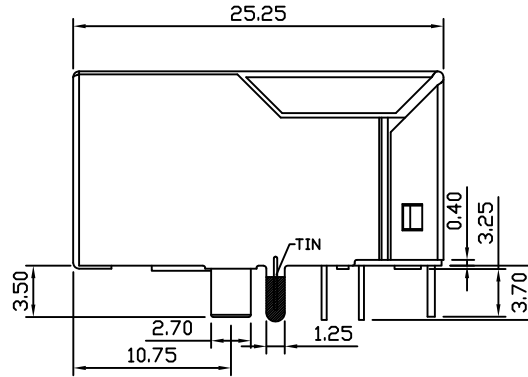
X:X	±0.30	APPD:	LINK-PP INT'L TECHNOLOGY CO., LIMITED	
X:XX	±0.25	CHKD:	TITLE: RJ45 Connector with 10/100 Base-T Integrated Magnetics	
X:XXX	±0.05	DR: TOM	PART NO.: LPJ1116BLNL	
ANGLES	±1°	UNIT: mm		
	SCALE: 2/1	SHEET: 1/2	REV: A	DWG NO.: TRC14101810

Mechanical:

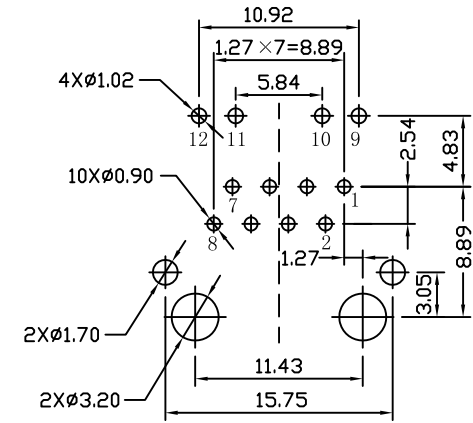
REV.	ECN NO.	DESCRIPTION	DATE	APPD
A	REL		2014-07-28	



Front Side View



Left Side View



Suggested PCB Layout (Top View)



NOTES:

1. Meets IEEE 802.3 specification
2. Connector Materials:

Housing Material: Thermoplastic PBT+30%G.F UL94V-0

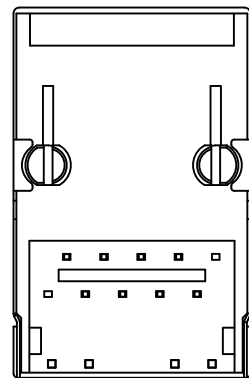
Contact Material: Phosphor Bronze C5210R-EH Thickness=0.35mm

Pins: Brass C2680R-H Thickness=0.35mm

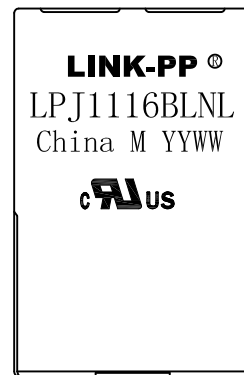
Shield: SUS S304-1/2H Thickness=0.2mm

Contact plating: Gold 6 micro-inches min. In contact area.

3. Wave solder tip temperature: 265°C Max, 5 Sec Max



Bottom Side View



Top Side View

X:X ±0.30	APPD:	LINK-PP INT'L TECHNOLOGY CO., LIMITED		
X:XX ±0.25	CHKD:			
X:XXX ±0.05	DR: TOM	TITLE: RJ45 Connector with 10/100 Base-T Integrated Magnetics		
ANGLES ±1°	UNIT: mm	PART NO.: LPJ1116BLNL		
	SCALE: 2/1	SHEET: 2/2	REV: A	DWG NO.: TRC14101810