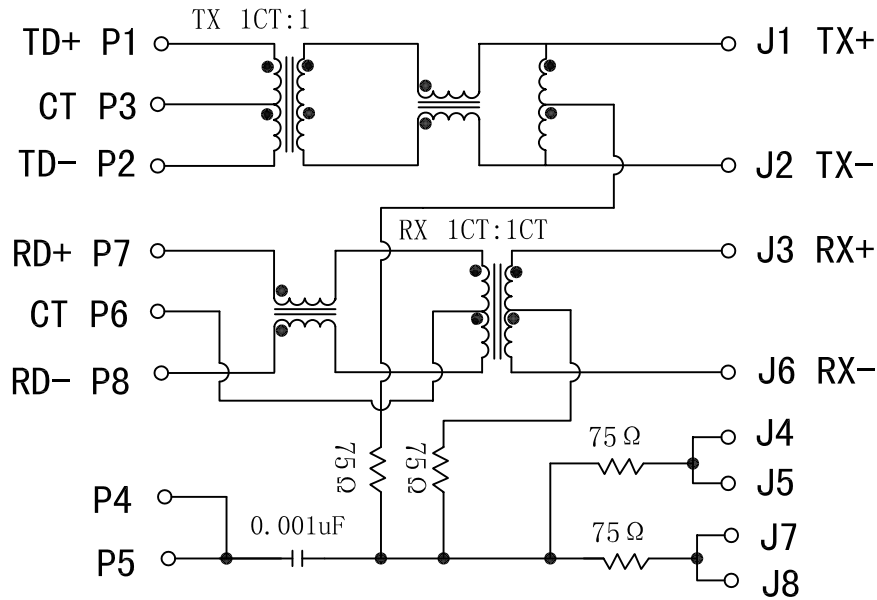


Schematic:

REV.	ECN NO.	DESCRIPTION	DATE	APPD
A	REL		2010/12/21	

PC BOARD CONNECTIONS

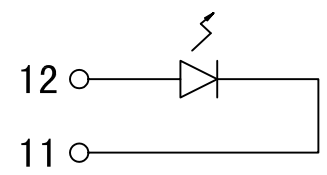


RJ45 CONNECTOR

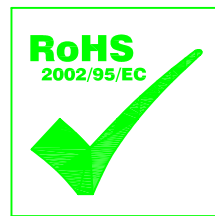
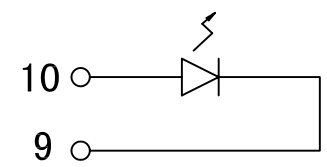
Electrical Specification @25°C

- Turns Ratio:
TX=1CT:1 RX=1CT:1CT
- Inductance: 350uH MIN
@0.1V, 0.1MHz, 8mA DC Bias
- Cross talk(dB TYP):
1-30MHz:-40 30-60MHz:-35
60-100MHz:-30
- Common Mode Rejection(dB TYP)
1-50MHz:-30; 50-150MHz:-20
- Return Loss(dB TYP @100Ω±15Ω):
1-10MHz:-20; 10-30MHz:-16
30-60MHz:-12; 60-100MHz:-10
- Insertion Loss:
1-65MHz:-1.0dB TYP
- Hipot:1500Vrms @60Hz
- Operating Temperature: 0°C~+70°C.

YELLOW/LEFT LED

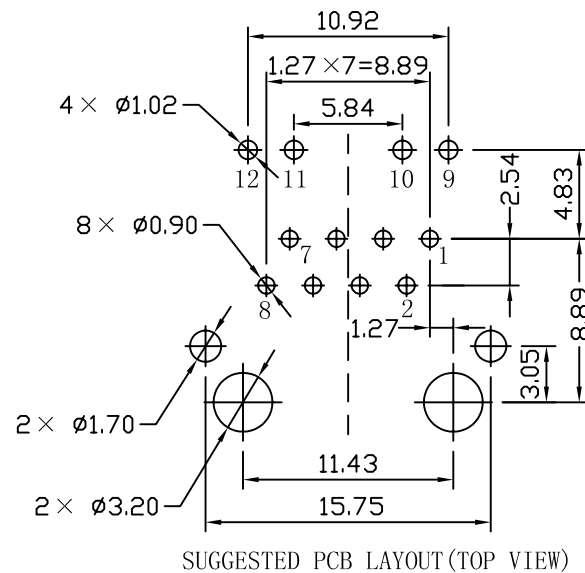
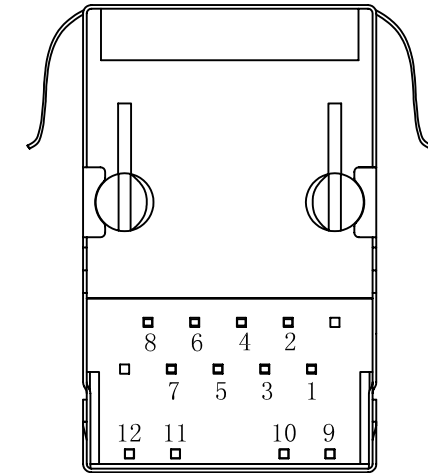
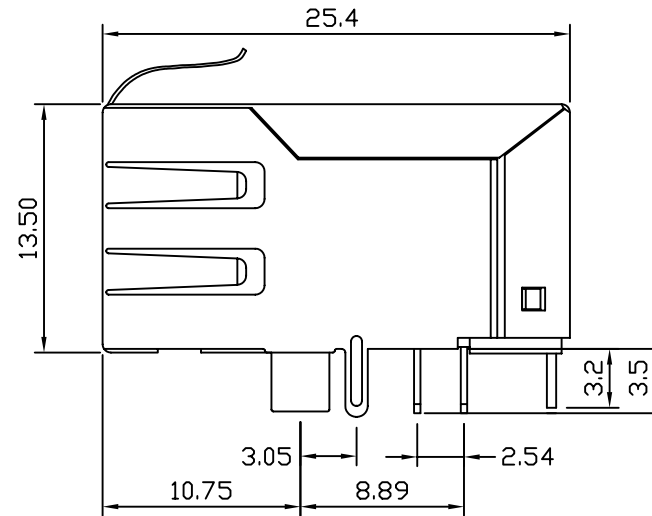
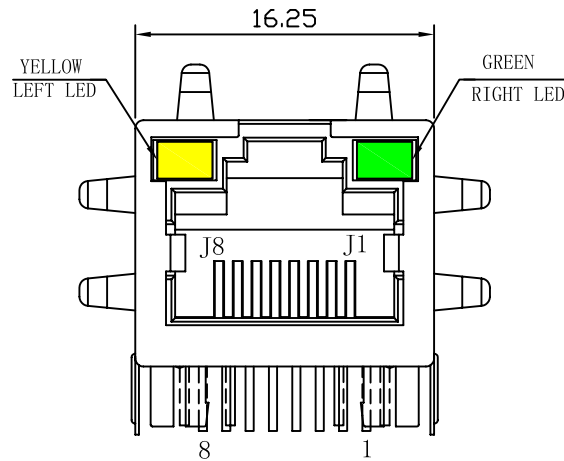


GREEN/RIGHT LED



X:X ±0.25	APPD:	LINK-PP INT'L TECHNOLOGY CO., LIMITED		
X:XX ±0.20	CHKD:	TITLE: RJ45 Connector with 10/100 Base-T Integrated Magnetics		
X:XXX ±0.05	DR: TOM	PART NO. : LPJ1026AGNL		
ANGLES ±1°	UNIT: mm			
	SCALE: 2/1	SHEET: 1/2	REV: A	DWG NO. : LP10122111

REV.	ECN NO.	DESCRIPTION	DATE	APPD
A	REL		2010/12/21	



NOTES:

1. Designed to support application, such as SOHO (ADSL modems), LAN-on-Motherboard (LOM), hub and Switches.
2. Meets IEEE 802.3 specification
3. Connector Materials:
 Housing: Thermoplastic UL94V-0
 Contact/Shield: Copper alloy
 Shield plating: Nickel
 Contact plating: Gold 6 micro-inches min. In contact area.
4. Wave solder tip temperature: 260°C
 Wave solder tip temperature time: 5 Sec Max



X:X ±0.25	APPD:	LINK-PP INT'L TECHNOLOGY CO., LIMITED
X:XX ±0.20	CHKD:	
X:XXX ±0.05	DR: TOM	TITLE: RJ45 Connector with 10/100 Base-T Integrated Magnetics
ANGLES ±1°	UNIT: mm	PART NO.: LPJ1026AGNL
	SCALE: 2/1	SHEET: 2/2
	REV: A	DWG NO.: LP10122111