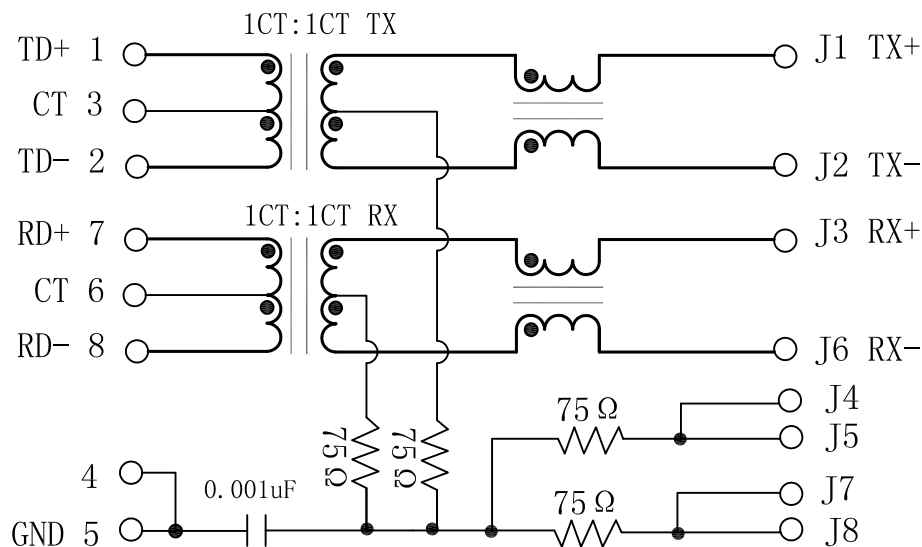


Schematic:

REV.	ECN NO.	DESCRIPTION	DATE	APPD
A	REL		2012/09/13	

PC BOARD CONNECTIONS

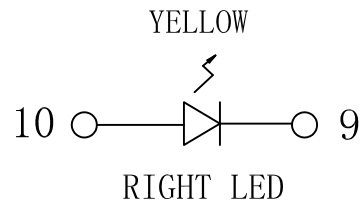
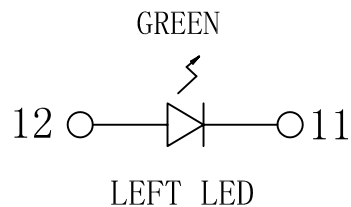


RJ45 CONNECTOR

Electrical Specification:

TEST NOTES (25±5°C)

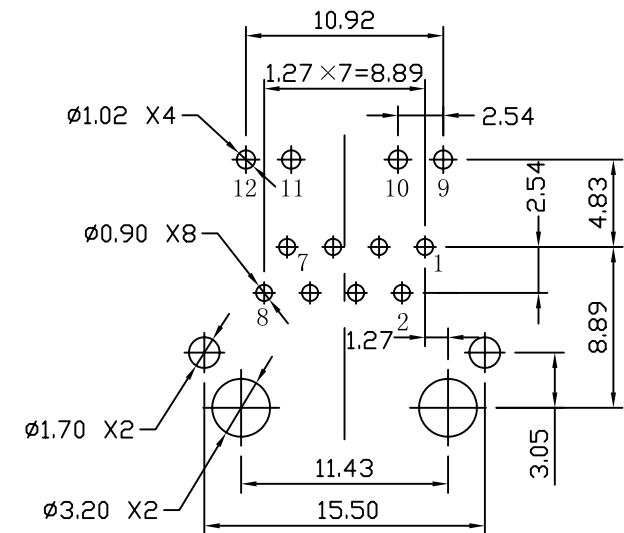
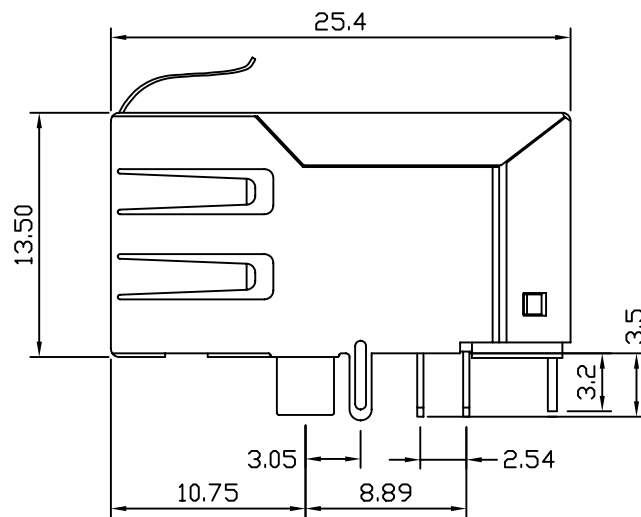
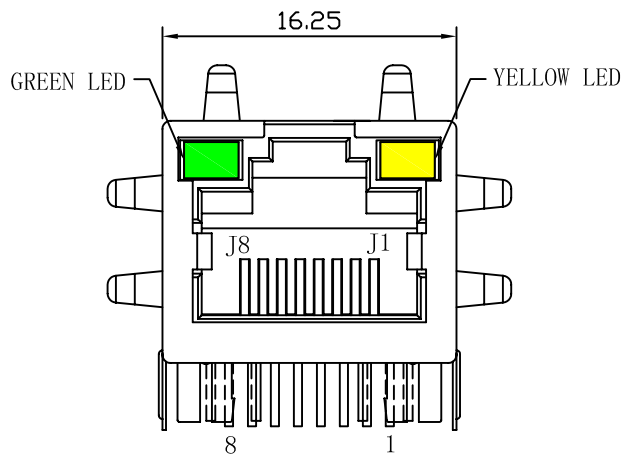
- TR: (100KHz, 0.1V);
TX=1CT:1CT ±3% RX=1CT:1CT ±3%
- LX: (100KHz, 100mV, 8mA, DC Bias)
PINS: (P1, P2), (P7, P8)=350uH MIN
- HIPOT:
PINS (P1, P3, P2) TO (J1, J2)=1500VAC FOR 60 SECONDS
PINS (P7, P6, P8) TO (J3, J6)=1500VAC FOR 60 SECONDS
- INSERTION LOSS:
-1.0dB MAX @ 1.0MHz TO 65MHz
- RETURN LOSS:
-20dB MIN @ 1MHz TO 10MHz
-16dB MIN @ 10MHz TO 30MHz
-12dB MIN @ 30MHz TO 60MHz
-10dB MIN @ 60MHz TO 100MHz
- CROSS TALK:
-40dB MIN @ 1MHz TO 30MHz
-35dB MIN @ 30MHz TO 60MHz
-30dB MIN @ 60MHz TO 100MHz
- COMMON TO COMMON MODE REJECTION:
-30dB MIN @ 1MHz TO 50MHz
-20dB MIN @ 50MHz TO 150MHz
- OPERATING TEMPERATURE: 0°C ~ 70°C.



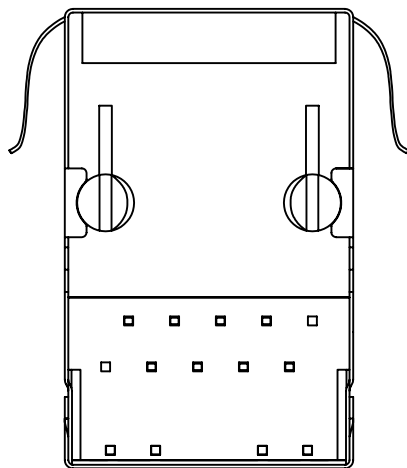
X:X	±0.20	APPD:	LINK-PP INT'L TECHNOLOGY CO., LIMITED
X:XX	±0.10	CHKD:	
X:XXX	±0.05	DR: C. H. Y	
ANGLES	±1°	UNIT: mm	Title: RJ45 Connector With 10/100 Base-TX Integrated Magnetic
			PART NO.: LPJ1011AHNL
	SCALE: 2/1	SHEET: 1/2	REV: A
		DWG NO.:	LP12091302

Mechanical :

REV.	ECN NO.	DESCRIPTION	DATE	APPD
A	REL			



SUGGESTED PCB LAYOUT(TOP VIEW)



NOTES:

1. Designed to support application, such as SOHO (ADSL modems), LAN-on-Motherboard (LOM), hub and Switches.
2. Meets IEEE 802.3 specification
3. Connector Materials:
 Housing: Thermoplastic UL94V-0
 Contact/Shield: Copper alloy
 Shield plating: Nickel
 Contact plating: Gold 6 micro-inches min. In contact area.
4. Wave solder tip temperature: 260°C
 Wave solder tip temperature time: 5 Sec Max



X:X	±0.20	APPD:	LINK-PP INT'L TECHNOLOGY CO., LIMITED	
X:XX	±0.10	CHKD:	Title: RJ45 Connector With 10/100 Base-TX Integrated Magnetic	
X:XXX	±0.05	DR: C. H. Y	PART NO.: LPJ1011AHNL	
ANGLES	±1°	UNIT: mm		
	SCALE: 2/1	SHEET: 2/2	REV: A	DWG NO.: LP12091302