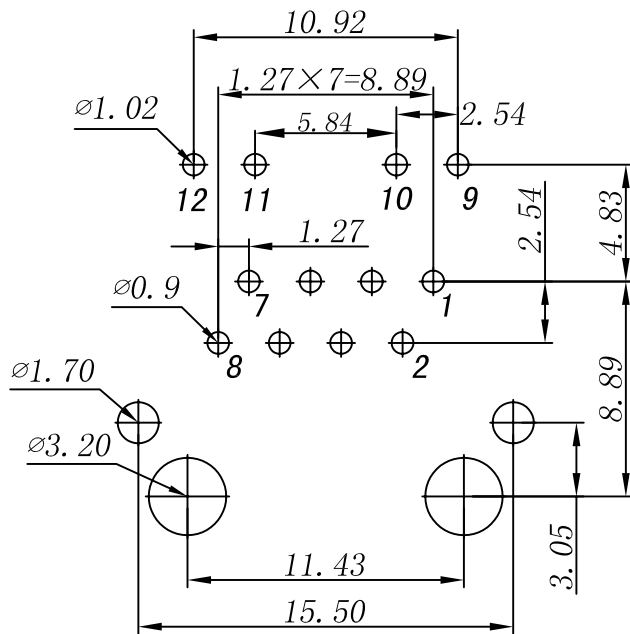
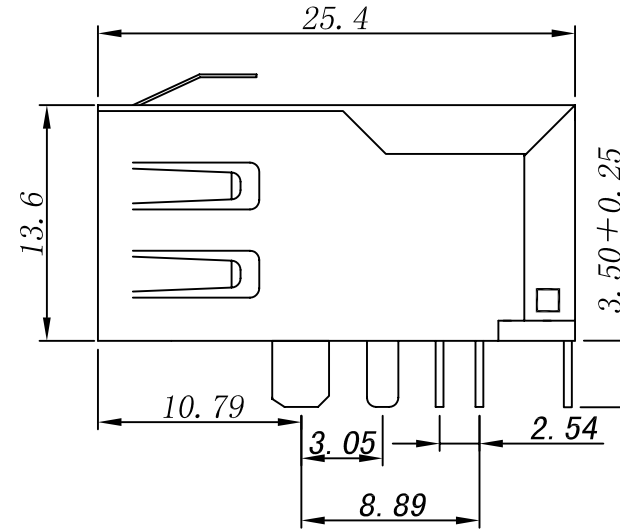
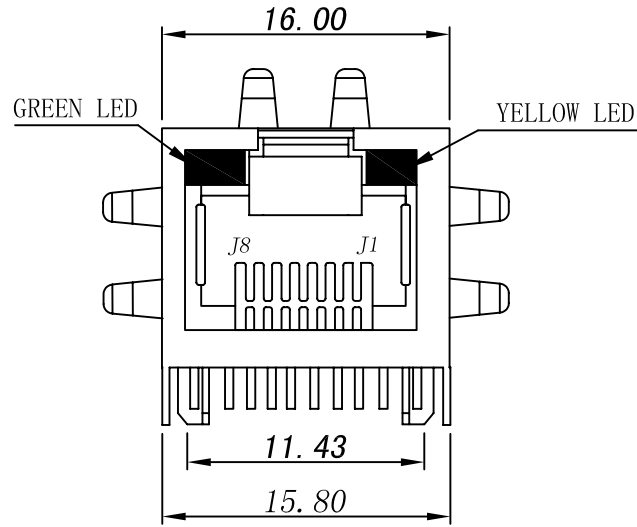


Mechanical:

| REV. | ECN NO. | DESCRIPTION | DATE | APPD |
|------|---------|-------------|------------|------|
| A | REL | | 10/05/2008 | |



SUGGESTED PCB LAYOUT (TOP VIEW)

NOTES:

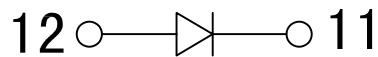
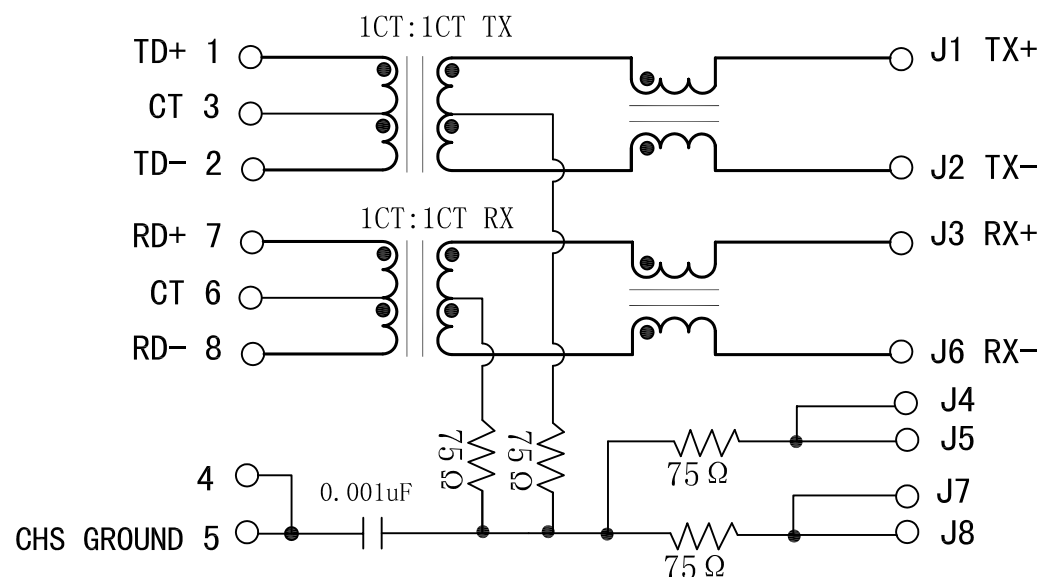
1. Designed to support application, such as SOHO (ADSL modems), LAN-on-Motherboard (LOM), hub and Switches.
2. Meets IEEE 802.3 specification
3. Connector Materials:
 Housing: Thermoplastic UL94V-0
 Contact/Shield: Copper alloy
 Shield plating: Nickel
 Contact plating: Gold 6 micro-inches min. In contact area.
4. Wave solder tip temperature: 260°C
 Wave solder tip temperature time: 5 Sec Max



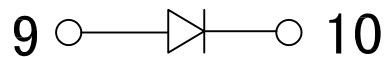
| | | | |
|--------|------------|------------|--|
| X:X | ±0.20 | APPD: | LINK-PP INT'L TECHNOLOGY CO., LIMITED |
| X:XX | ±0.10 | CHKD: | |
| X:XXX | ±0.05 | DR: TOM | <i>Title:</i> 10/100 Base-TX RJ45 Connector With Integrated Magnetic |
| ANGLES | ±1° | UNIT: mm | PART NO.: LPJ1011ABNL |
| | SCALE: 2/1 | SHEET: 1/2 | REV: A DWG: |

Schematic:

| REV. | ECN NO. | DESCRIPTION | DATE | APPD |
|------|---------|-------------|------------|------|
| A | REL | | 10/05/2008 | |



GREEN/LEFT LED



YELLOW/RIGHT LED



Electrical Specification:

TEST NOTES (25±5°C)

- TR: (100KHZ, 0.1V);
TX=1CT:1CT ±3% RX=1CT:1CT ±3%
- LX: (100KHz, 100mV, 8mA, DC Bias)
PINS: (P1, P2), (P7, P8)=350uH MIN
- HIPOT:
PINS (P1, P3, P2) TO (J1, J2)=1500VAC FOR 60 SECONDS
PINS (P7, P6, P8) TO (J3, J6)=1500VAC FOR 60 SECONDS
- INSERTION LOSS:
-1.0dB MAX @ 1.0MHz TO 65MHz
- RETURN LOSS:
-20dB MIN @ 1MHz TO 10MHz
-16dB MIN @ 10MHz TO 30MHz
-12dB MIN @ 30MHz TO 60MHz
-10dB MIN @ 60MHz TO 100MHz
- CROSS TALK:
-40dB MIN @1MHz TO 30MHz
-35dB MIN @30MHz TO 60MHz
-30dB MIN @60MHz TO 100MHz
- COMMON TO COMMON MODE REJECTION:
-30dB MIN @1MHz TO 50MHz
-20dB MIN @50MHz TO 150MHz
- OPERATING TEMPERATURE: 0°C ~ 70°C.

| | | | | |
|--------|------------|------------|--|------|
| X:X | ±0.20 | APPD: | LINK-PP INT'L TECHNOLOGY CO., LIMITED | |
| X:XX | ±0.10 | CHKD: | <i>Title:</i> 10/100 Base-TX RJ45 Connector With Integrated Magnetic | |
| X:XXX | ±0.05 | DR: TOM | | |
| ANGLES | ±1° | UNIT: mm | PART NO.: LPJ1011ABNL | |
| | SCALE: 2/1 | SHEET: 2/2 | REV: A | DWG: |