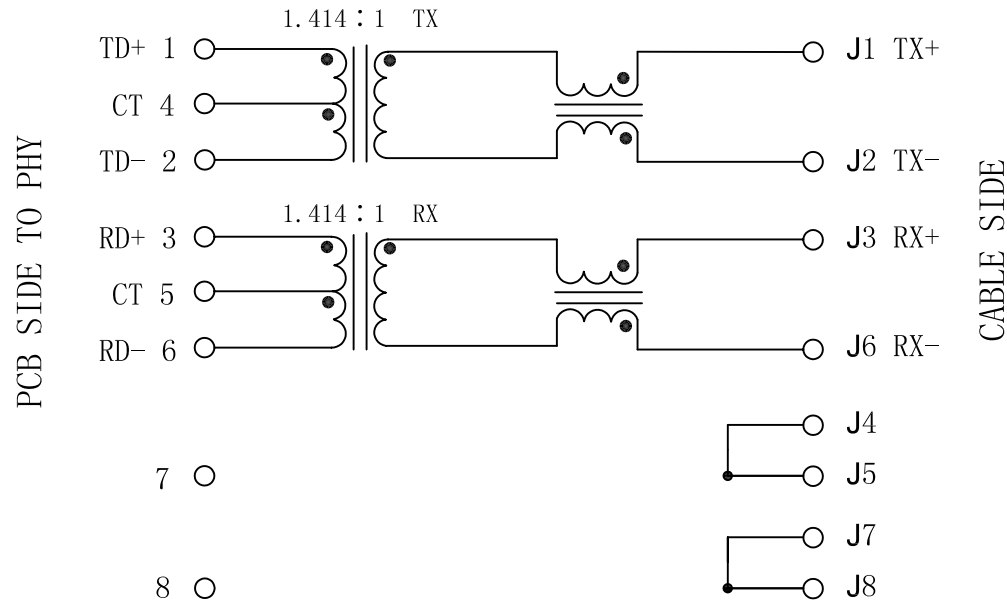


Schematic:

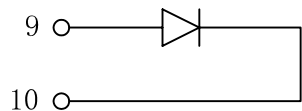
REV.	ECN NO.	DESCRIPTION	DATE	APPD
A	REL		16/05/2009	



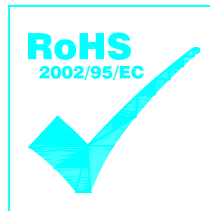
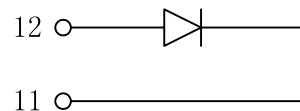
Electrical Specifications @25°C

- Turns Ratio:
TX=1.414CT:1 RX=1.414CT:1
- Inductance: 350uH Min
@100KHz, 0.1Vrms, 8mA DC Bias
- Insertion Loss:
100KHz: -1.2dB Max
1-125MHz:-1.0dB Max
- Return Loss(dB Min @100±15Ω):
0.1-30MHz:-16
30-60MHz:-[10+20LOG(f/60MHz)]
60-80MHz:-10
- Crosstalk(dB Min):
1MHz:-50
10-100MHz:-[50+17LOG(f/10)]
- Common Mode Rejection Ratio:(dB Min):
2MHz:-50
30-200MHz:-[15+20LOG(f/200)]
- Hipot:1500Vrms Min
- Operating Temperature: 0°C~70°C.

GREEN/LEFT LED



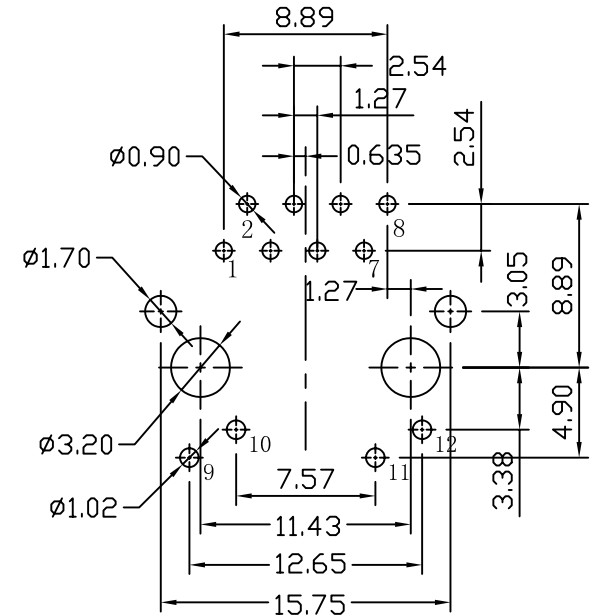
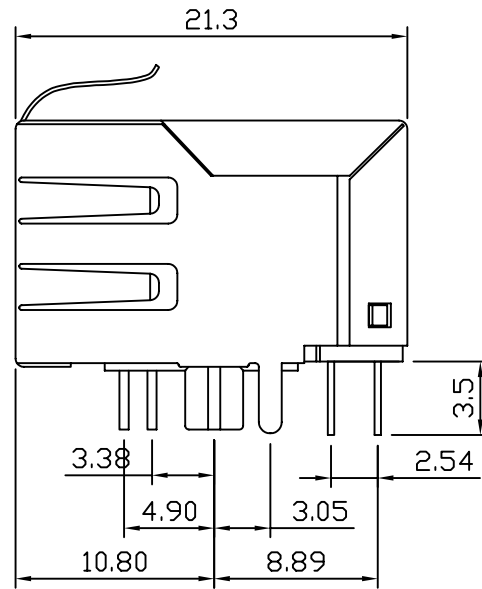
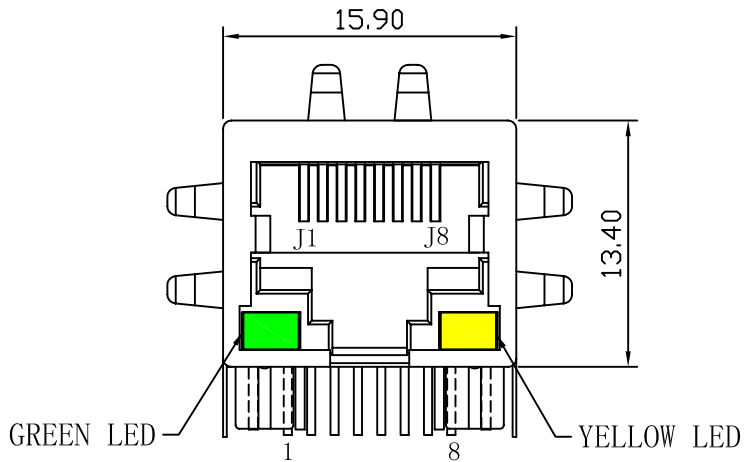
YELLOW/RIGHT LED



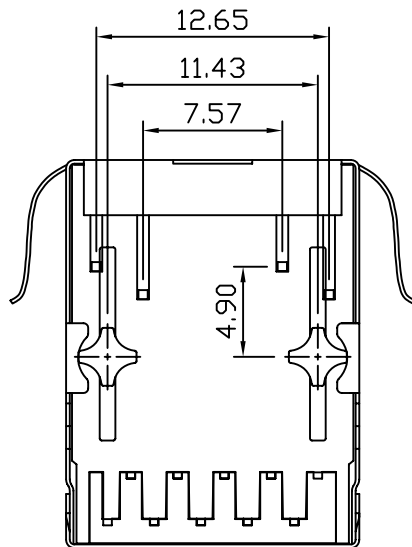
X:X ±0.25	APPD:	LINK-PP INT'L TECHNOLOGY CO., LIMITED		
X:XX ±0.20	CHKD:			
X:XXX ±0.05	DR: TOM	TITLE: RJ45 Connector with 10/100 Base-T Integrated Magnetics		
ANGLES ±1°	UNIT: mm	PART NO.: LPJ0165ABNL		
	SCALE: 2/1	SHEET: 1/2	REV: A	DWG NO.: LP10090803

Mechanical:

REV.	ECN NO.	DESCRIPTION	DATE	APPD
A	REL		16/05/2009	

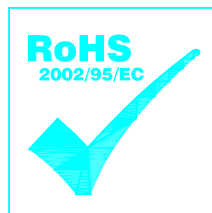


SUGGESTED PCB LAYOUT (TOP VIEW)



NOTES:

1. Designed to support application, such as SOHO (ADSL modems), LAN-on-Motherboard (LOM), hub and Switches.
2. Meets IEEE 802.3 specification
3. Connector Materials:
 Housing: Thermoplastic UL94V-0
 Contact/Shield: Copper alloy
 Shield plating: Nickel
 Contact plating: Gold 6 micro-inches min. In contact area.
4. Wave solder tip temperature: 265°C Max
 Wave solder tip temperature time: 5 Sec Max



X:X ±0.25	APPD:	LINK-PP INT'L TECHNOLOGY CO., LIMITED
X:XX ±0.20	CHKD:	
X:XXX ±0.05	DR: TOM	TITLE: RJ45 Connector with 10/100 Base-T Integrated Magnetics
ANGLES ±1°	UNIT: mm	PART NO.: LPJ0165ABNL
	SCALE: 2/1	SHEET: 2/2
	REV: A	DWG NO.: LP10090803