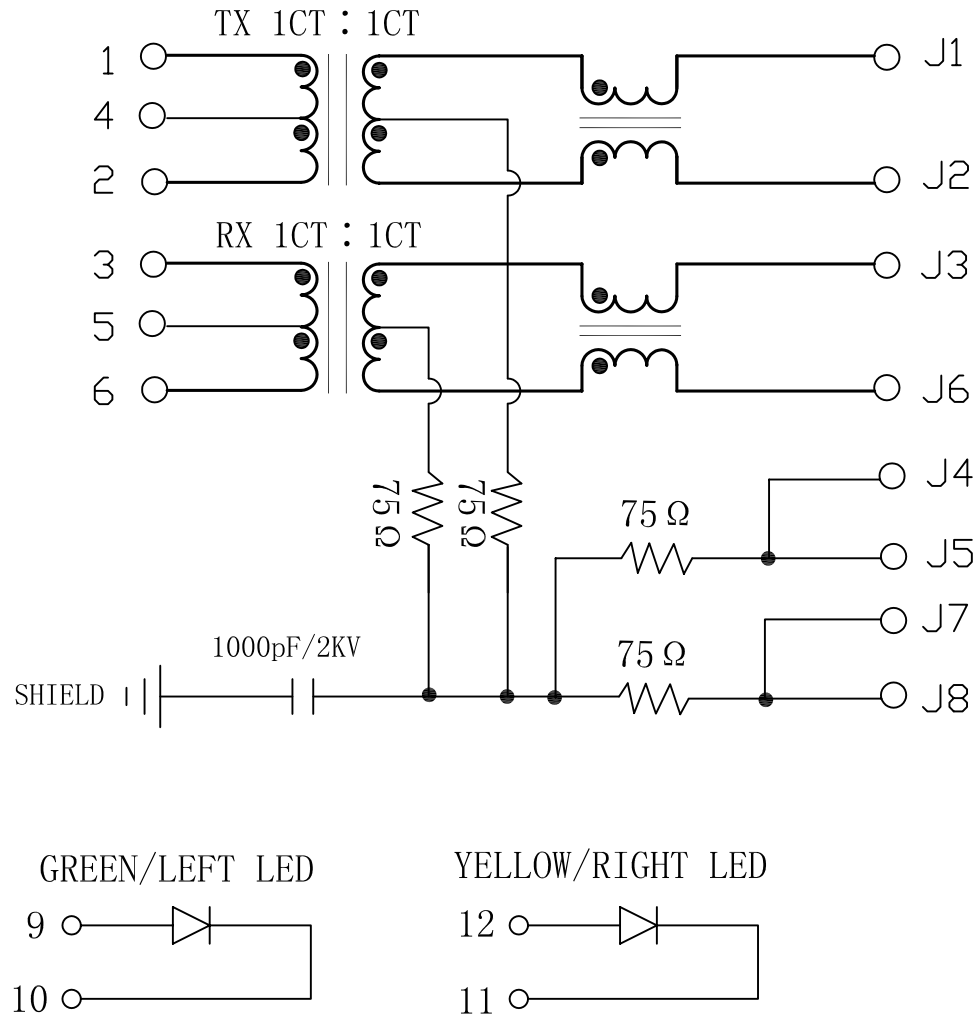


Schematic:

REV.	ECN NO.	DESCRIPTION	DATE	APPD
A	REL		10/01/2009	



Electrical Specifications @25°C

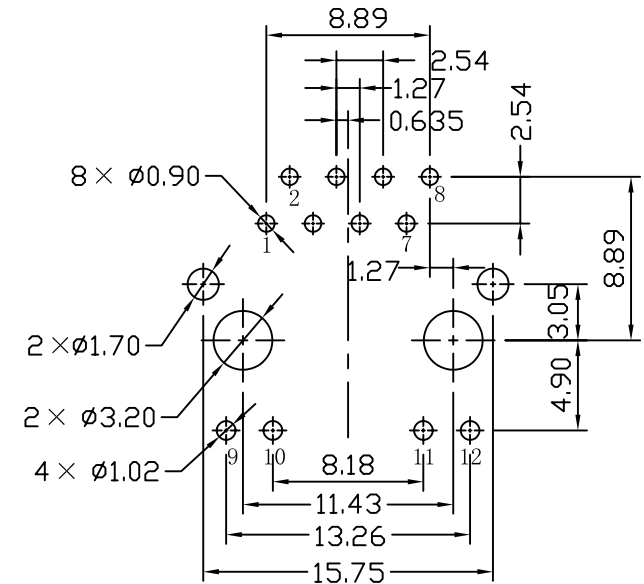
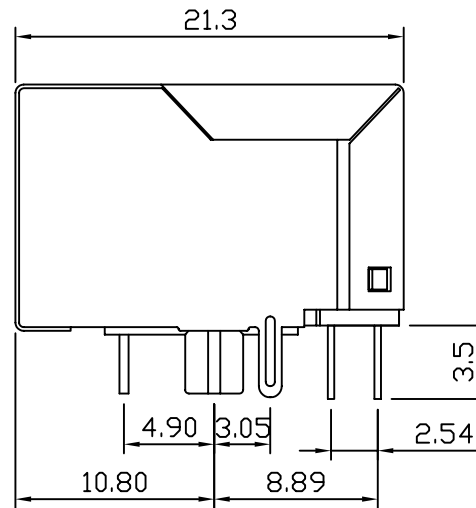
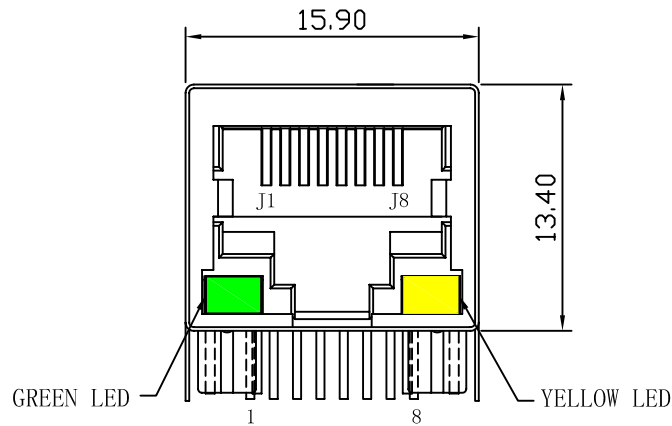
- INDUCTANCE: 350uH MIN  
@100KHz, 100mV DC Bias
- URNS RATIO(±2%):  
TX=1CT : 1CT      RX=1CT : 1CT
- HIPOT: 1500VAC
- INSERTION LOSS:  
-1.0dB MAX @ 1.0MHz TO 65MHz
- RETURN LOSS:  
-20dB MIN @ 1MHz TO 10MHz  
-16dB MIN @ 10MHz TO 30MHz  
-12dB MIN @ 30MHz TO 60MHz  
-10dB MIN @ 60MHz TO 100MHz
- CROSS TALK:  
-40dB MIN @1MHz TO 30MHz  
-35dB MIN @30MHz TO 60MHz  
-30dB MIN @60MHz TO 100MHz
- COMMON TO COMMON MODE REJECTION:  
-30dB MIN @1MHz TO 50MHz  
-20dB MIN @50MHz TO 150MHz
- OPERATING TEMPERATURE: 0°C ~ 70°C.



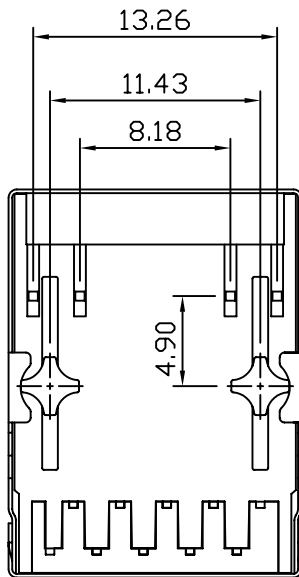
X:X ±0.30	APPD:	LINK-PP INT'L TECHNOLOGY CO., LIMITED		
X:XX ±0.20	CHKD:	TITLE: RJ45 Connector with 10/100 Base-TX Integrated Magnetic		
X:XXX ±0.05	DR: TOM	PART NO. : LPJ0037FBNL		
ANGLES ±1°	UNIT: mm			
	SCALE: 2/1	SHEET: 1/2	REV: A	DWG NO. : LP09011010

Mechanical:

REV.	ECN NO.	DESCRIPTION	DATE	APPD
A	REL		10/01/2009	



SUGGESTED PCB LAYOUT (TOP VIEW)



NOTES:

1. Designed to support application, such as SOHO (ADSL modems), LAN-on-Motherboard (LOM), hub and Switches.
2. Meets IEEE 802.3 specification
3. Connector Materials:  
 Housing: Thermoplastic UL94V-0  
 Contact/Shield: Copper alloy  
 Shield plating: Nickel  
 Contact plating: Gold 6 micro-inches min. In contact area.
4. Wave solder tip temperature: 265°C Max  
 Wave solder tip temperature time: 5 Sec Max



X:X ±0.30	APPD:	LINK-PP INT'L TECHNOLOGY CO., LIMITED
X:XX ±0.20	CHKD:	
X:XXX ±0.05	DR: TOM	TITLE: RJ45 Connector with 10/100 Base-TX Integrated Magnetic
ANGLES ±1°	UNIT: mm	PART NO.: LPJ0037FBNL
	SCALE: 2/1	SHEET: 2/2
	REV: A	DWG NO.: LP09011010