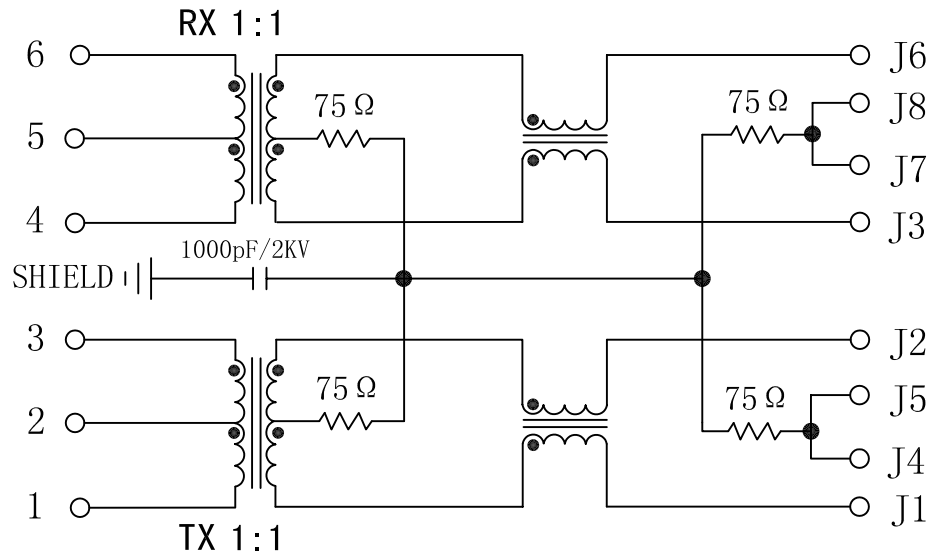


Schematic:

REV.	ECN NO.	DESCRIPTION	DATE	APPD
A	REL		2010/12/09	

PC BOARD CONNECTIONS



RJ45 CONNECTOR

Electrical Specification @25°C

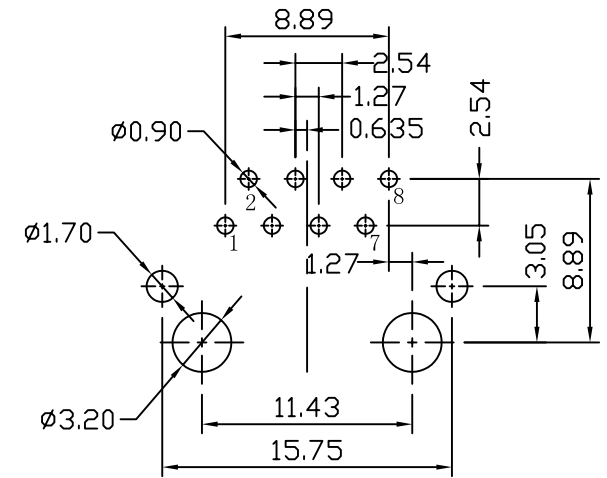
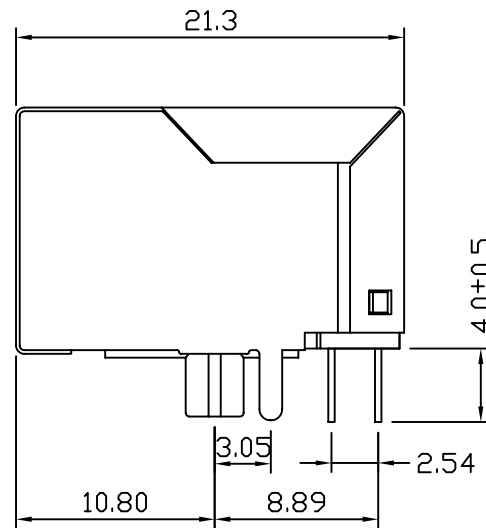
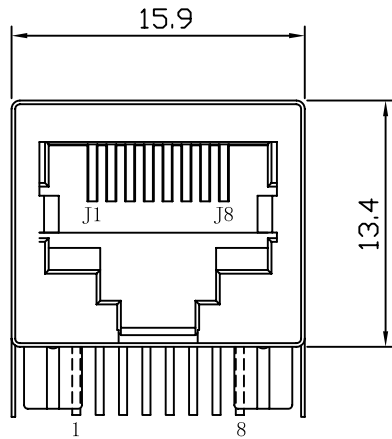
- Turns Ratio ( $\pm 2\%$ ):
  - (1-3) : (J1-J2) = 1:1
  - (4-6) : (J3-J6) = 1:1
- Inductance: 350uH MIN  
@0.1V, 0.1MHz, 8mA DC Bias
- Cross talk:
  - 1MHz-100MHz: -40dB
- Common to Mode Rejection
  - 30MHz-100MHz: -35dB
- Return Loss:
  - 1MHz-30MHz: -18dB min
  - 30MHz-80MHz: -12dB min
- Insertion Loss:
  - 0.1MHz-100MHz: -1.2dB max
- Hipot: 1500Vrms
- Operating Temperature: 0~70°C



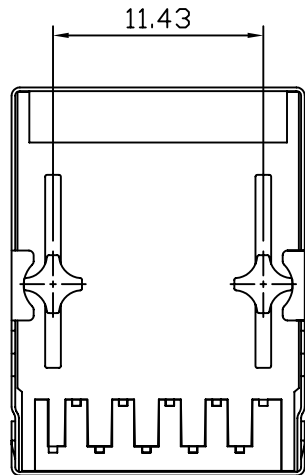
X:X	$\pm 0.30$	APPD:	LINK-PP INT'L TECHNOLOGY CO., LIMITED	
X:XX	$\pm 0.20$	CHKD:	TITLE: RJ45 Connector With 10/100 Base-TX Integrated Magnetics	
X:XXX	$\pm 0.05$	DR: TOM		
ANGLES	$\pm 1^\circ$	UNIT: mm	PART NO. : LPJ0034DNL	
	SCALE: 2/1	SHEET: 1/2	REV: A	DWG NO. : LP10120912

Mechanical:

REV.	ECN NO.	DESCRIPTION	DATE	APPD
A	REL		2010/12/09	



SUGGESTED PCB LAYOUT (TOP VIEW)



NOTES:

1. Designed to support application, such as SOHO (ADSL modems), LAN-on-Motherboard (LOM), hub and Switches.
2. Meets IEEE 802.3 specification
3. Connector Materials:  
 Housing: Thermoplastic UL94V-0  
 Contact/Shield: Copper alloy  
 Shield plating: Nickel  
 Contact plating: Gold 6 micro-inches min. In contact area.
4. Wave solder tip temperature: 265°C Max  
 Wave solder tip temperature time: 5 Sec Max



X:X ±0.30	APPD:	LINK-PP INT'L TECHNOLOGY CO., LIMITED
X:XX ±0.20	CHKD:	
X:XXX ±0.05	DR: TOM	TITLE: RJ45 Connector With 10/100 Base-TX Integrated Magnetics
ANGLES ±1°	UNIT: mm	PART NO.: LPJ0034DNL
	SCALE: 2/1	SHEET: 2/2
	REV: A	DWG NO.: LP10120912