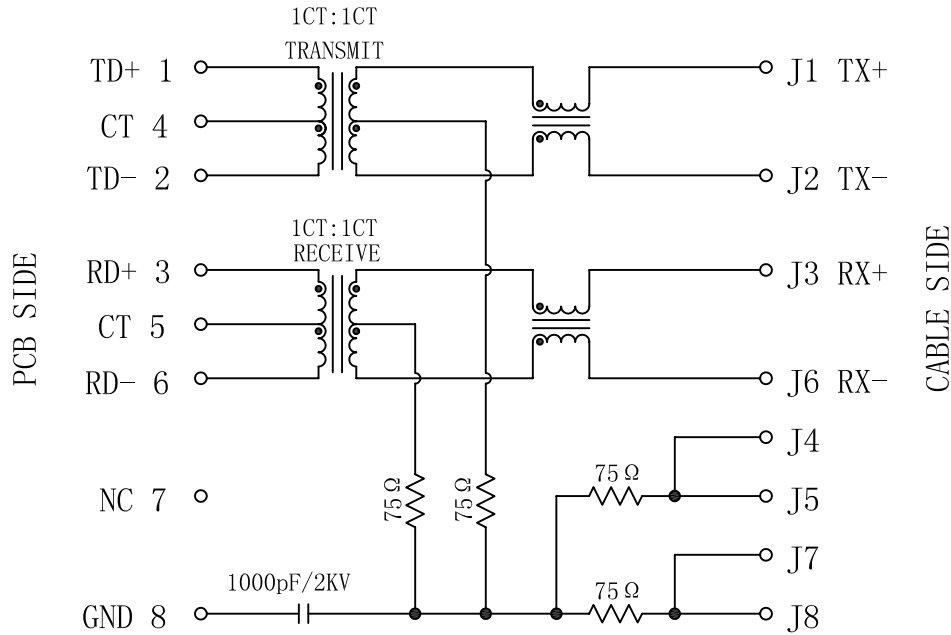


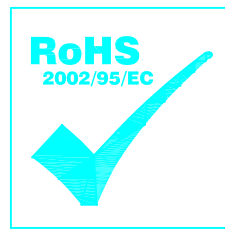
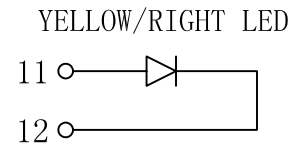
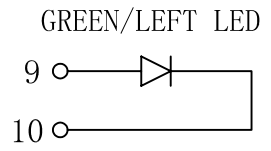
Schematic:

| REV. | ECN NO. | DESCRIPTION | DATE       | APPD |
|------|---------|-------------|------------|------|
| A    | REL     |             | 30/11/2007 |      |



ELECTRICAL SPECIFICATIONS @25°C

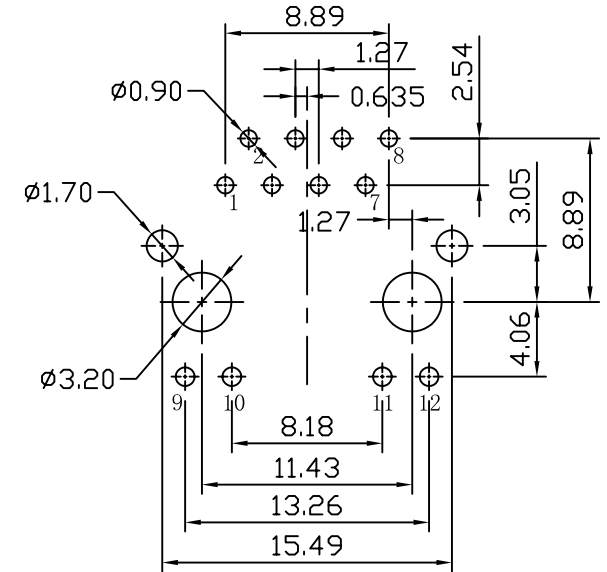
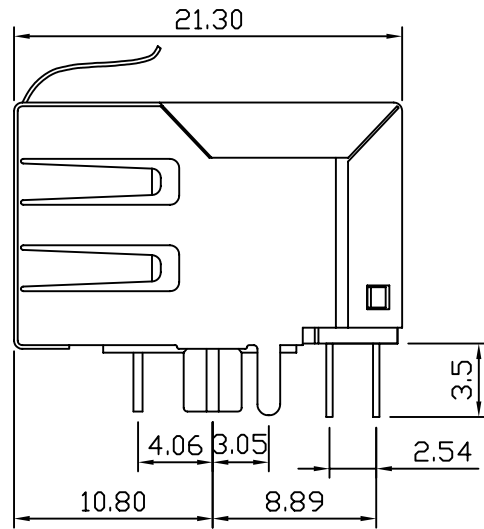
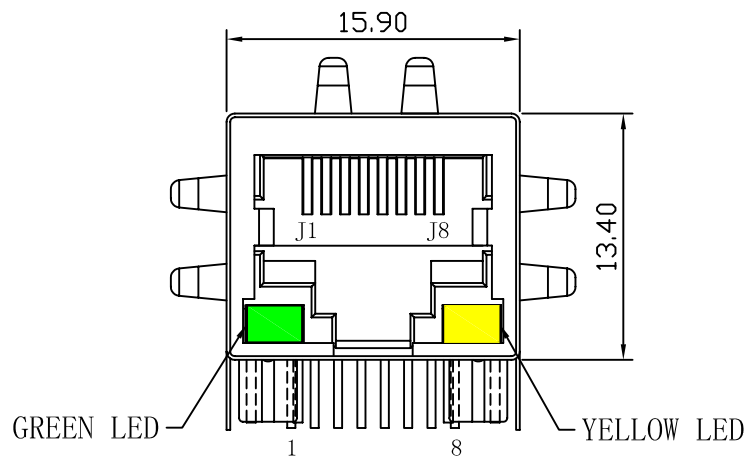
- Turn Ratio( $\pm 2\%$ ):  
TX=1CT:1CT      RX=1CT:1CT
- Inductance OCL: 350uH MIN  
@100KHz/0.1V, 8mA DC Bias
- Insertion Loss:  
-1.1dB MAX @ 0.1-100MHz
- Return Loss:  
-20dB MIN @ 1-10MHz  
-16dB MIN @ 10-30MHz  
-12dB MIN @ 30-60MHz  
-10dB MIN @ 60-100MHz
- Cross talk:  
-40dB MIN @ 1-30MHz  
-35dB MIN @ 30-60MHz  
-30dB MIN @ 60-100MHz
- Common Mode Rejection:  
-30dB MIN @ 1-50MHz  
-20dB MIN @ 50-150MHz
- Hipot Test:1500Vrms MIN
- Operating Temperature Range:0°C TO 70°C



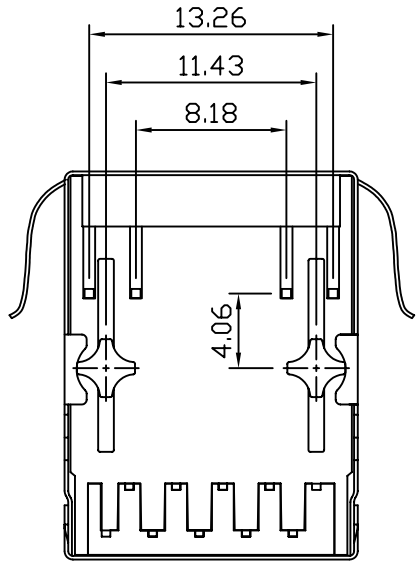
|                      |            |   |        |                     |
|----------------------|------------|---|--------|---------------------|
| X:X ±0.30            | APPD:      | LINK-PP INT'L TECHNOLOGY CO., LIMITED                         |        |                     |
| X:XX ±0.20           | CHKD:      | TITLE: RJ45 Connector with 10/100 Base-T Integrated Magnetics |        |                     |
| X:XXX ±0.05          | DR: TOM    | PART NO.: LPJ0011GENL   |        |                     |
| ANGLES $\pm 1^\circ$ | UNIT: mm   |   |        |                     |
|                      | SCALE: 2/1 | SHEET: 1/2  | REV: A | DWG NO.: LP07113003 |

Mechanical:

| REV. | ECN NO. | DESCRIPTION | DATE       | APPD |
|------|---------|-------------|------------|------|
| A    | REL     |             | 30/11/2007 |      |



SUGGESTED PCB LAYOUT (TOP VIEW)



NOTES:

1. Designed to support application, such as SOHO (ADSL modems), LAN-on-Motherboard (LOM), hub and Switches.
2. Meets IEEE 802.3 specification
3. Connector Materials:  
 Housing: Thermoplastic UL94V-0  
 Contact/Shield: Copper alloy  
 Shield plating: Nickel  
 Contact plating: Gold 6 micro-inches min. In contact area.
4. Wave solder tip temperature: 265°C Max  
 Wave solder tip temperature time: 5 Sec Max



|             |            |   |
|-------------|------------|---|
| X:X ±0.30   | APPD:      | LINK-PP INT'L TECHNOLOGY CO., LIMITED                         |
| X:XX ±0.20  | CHKD:      |   |
| X:XXX ±0.05 | DR: TOM    | TITLE: RJ45 Connector with 10/100 Base-T Integrated Magnetics |
| ANGLES ±1°  | UNIT: mm   | PART NO.: LPJ0011GENL   |
|             | SCALE: 2/1 | SHEET: 2/2  |
|             | REV: A     | DWG NO.: LP07113003   |