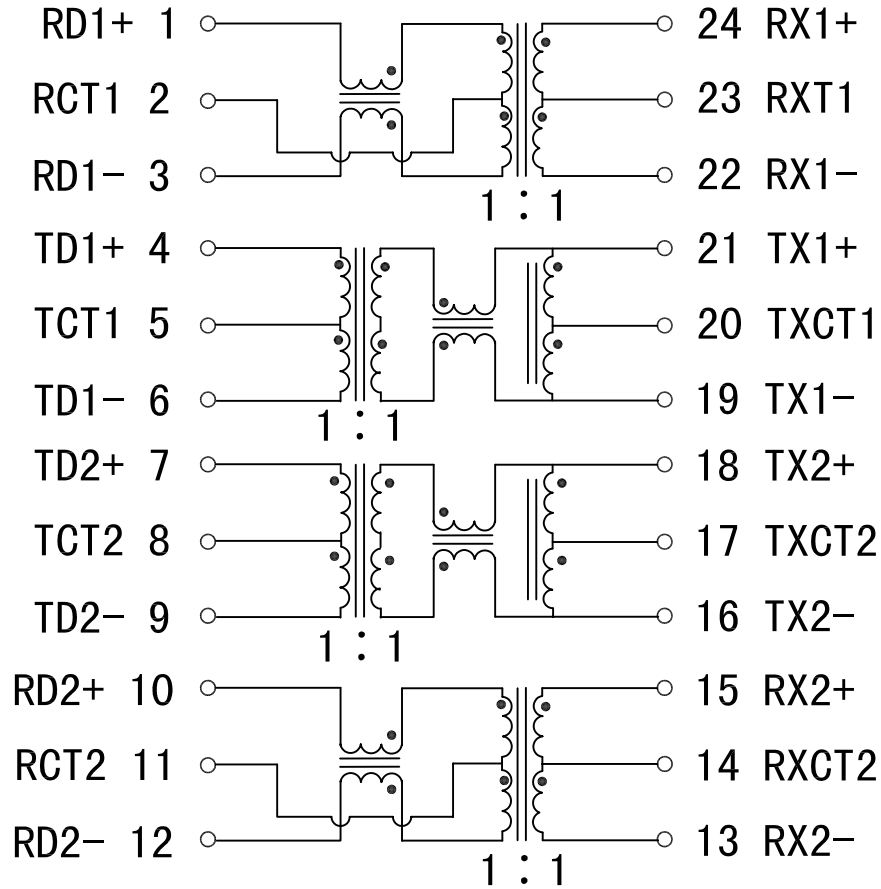


Schematic:

REV.	ECN NO.	DESCRIPTION	DATE	APPD
A	REL		08/12/2008	

CHIP SIDE



MEDIA SIDE

Electrical Specifications @25°C

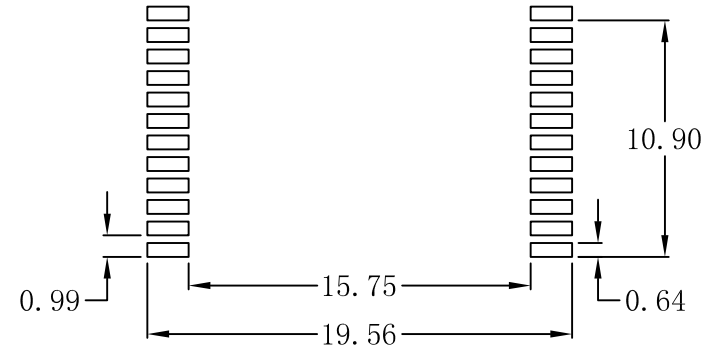
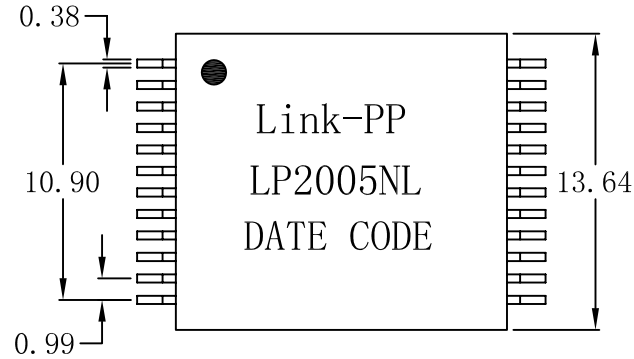
- Ports: 2.
- Insertion Loss:
 - 1-100MHz: -1.2dB MAX
- Return Loss (dB MIN @ 100Ω):
 - 1-30MHz: -16 40MHz: -14
 - 50MHz: -13 60-80MHz: -12
- Crosstalk (dB MIN):
 - 30MHz: -43 60MHz: -37
 - 100MHz: -33
- DCMR (dB MIN):
 - 30MHz: -50 60MHz: -43
 - 100MHz: -35
- Hipot: 1500Vrms MIN
- Operating Temperature: 0°C ~ 70°C.



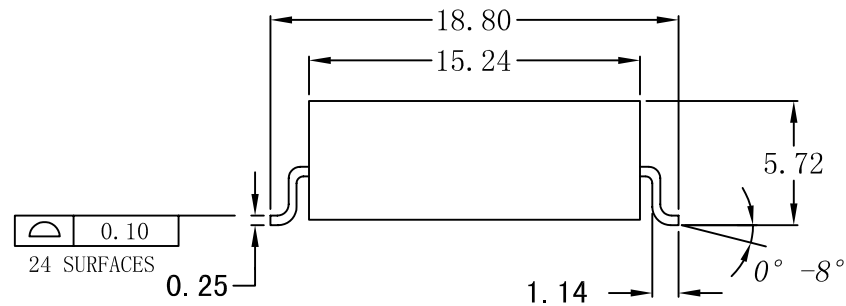
X:X	±0.20	APPD:	LINK-PP INT'L TECHNOLOGY CO., LIMITED	
X:XX	±0.10	CHKD:		
X:XXX	±0.05	DR: TOM	Title: 10/100 Base-TX VoIP Magnetics Modules & PoE	
ANGLES	±1°	UNIT: mm	PART NO.: LP2005NL	
	SCALE: 2/1	SHEET: 1/2	REV: A	DWG NO.: LP08120806

Mechanical :

REV.	ECN NO.	DESCRIPTION	DATE	APPD
A	REL		08/12/2008	



SUGGESTED PAD LAYOUT



NOTES:

1. POWER OVER ETHERNET (PoE) MAGNETICS.
2. IEEE 802.3 af/ANSI X3.263 compliant performance
3. Designed for IP phone or switch applications
4. With various Turns Ratios.
5. 350uH min OCL with 8mA bias current.
6. RoHS "NL" peak solder rating 245°C.



X:X	±0.20	APPD:	LINK-PP INT'L TECHNOLOGY CO., LIMITED	
X:XX	±0.10	CHKD:		
X:XXX	±0.05	DR: TOM	Title: 10/100 Base-TX VoIP Magnetics Modules & PoE	
ANGLES	±1°	UNIT: mm	PART NO.: LP2005NL	
	SCALE: 2/1	SHEET: 2/2	REV: A	DWG NO.: LP08120806