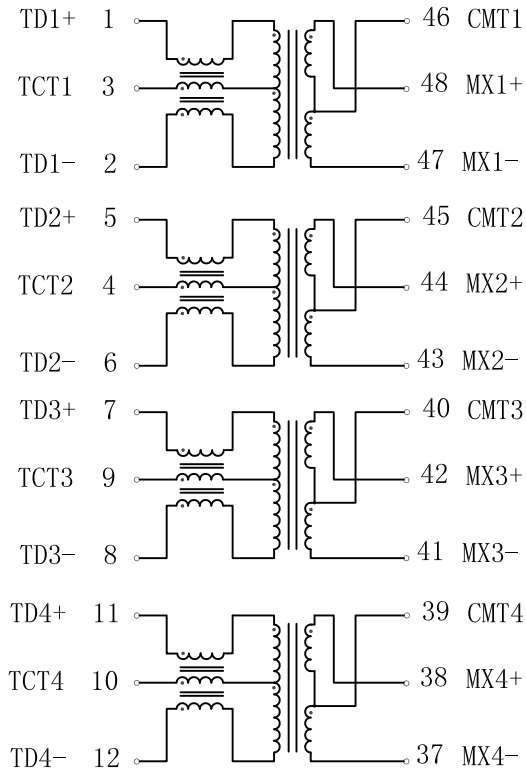


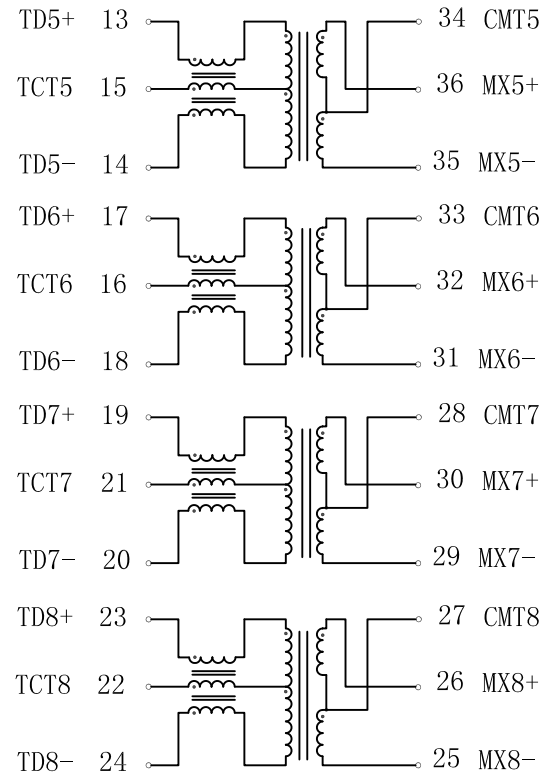
Schematic:

REV.	ECN NO.	DESCRIPTION	DATE	APPD
A	REL		2016/01/25	

Port 1



Port 2



Electrical Specifications @25°C

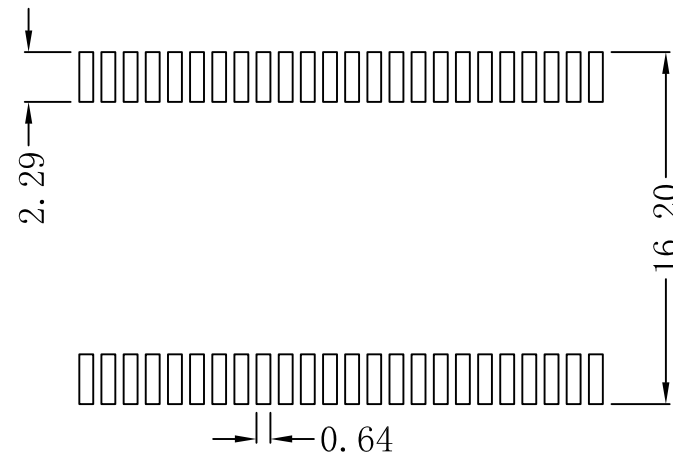
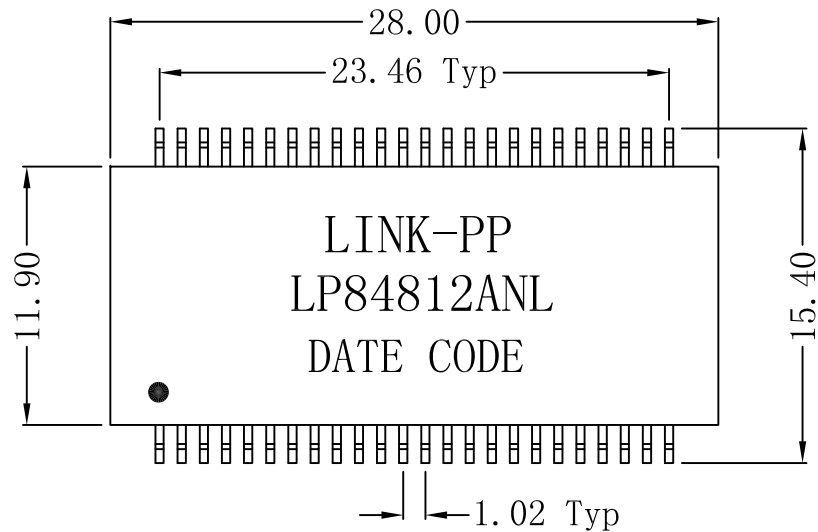
- Turns Ratio:
1CT:1CT
- OCL:
350uH MIN @100KHz, 100mV, 8mADC Bias
300uH MIN @100KHz, 100mV, 21mADC Bias
- Insertion Loss (dB MAX):
1-100MHz: -1
- Return Loss (dB MIN):
20-30MHz: -18 40MHz: -17
50MHz: -16 60-80MHz: -12
100MHz: -10
- CMR (dB MIN):
1-60MHz: -37 60-100MHz: -40
- CDMR (dB MIN):
1MHz: -45 60MHz: -40
125MHz: -30
- Hipot (Vrms MIN): 1500
- Operating Temperature: -40°C ~ +85°C.



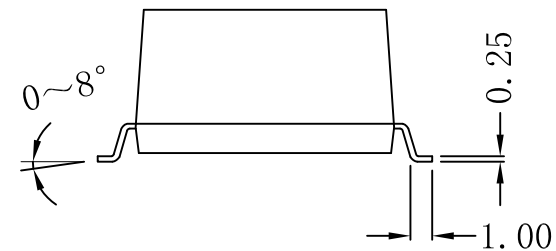
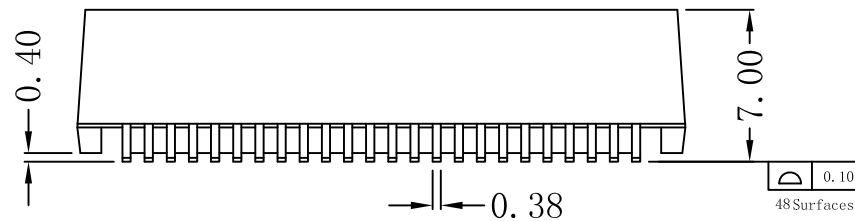
X:X	APPD:	LINK-PP INT'L TECHNOLOGY CO., LIMITED		
X:XX ±0.25	CHKD:	TITLE: 10/100/1000 Base-T Magnetic Modules For PoE+ Application		
X:XXX	DR: TOM	PART NO.: LP84812ANL		
ANGLES ±1°	UNIT: mm			
	SCALE: 2/1	SHEET: 1/2	REV: A	DWG NO.: LP16012503

Mechanical:

REV.	ECN NO.	DESCRIPTION	DATE	APPD
A	REL		2016/01/25	



SUGGESTED PAD LAYOUT



Dimensions: mm

Unless otherwise specified, all tolerances are ± 0.25

NOTES:

1. Gigabit Transformer Modules With PoE+ compliance
2. Meets IEEE 802.3at specification
3. Suitable for PoE+ applications (720mA@57V continuous)
3. For RoHS part add suffix NL.
4. RoHS "NL" peak solder rating 250°C.



X:X	APPD:	LINK-PP INT'L TECHNOLOGY CO., LIMITED		
X:XX	± 0.25	CHKD:	TITLE: 10/100/1000 Base-T Magnetic Modules For PoE+ Application	
X:XXX		DR: TOM	PART NO.: LP84812ANL	
ANGLES	$\pm 1^\circ$	UNIT: mm		
	SCALE: 2/1	SHEET: 2/2	REV: A	DWG NO.: LP16012503