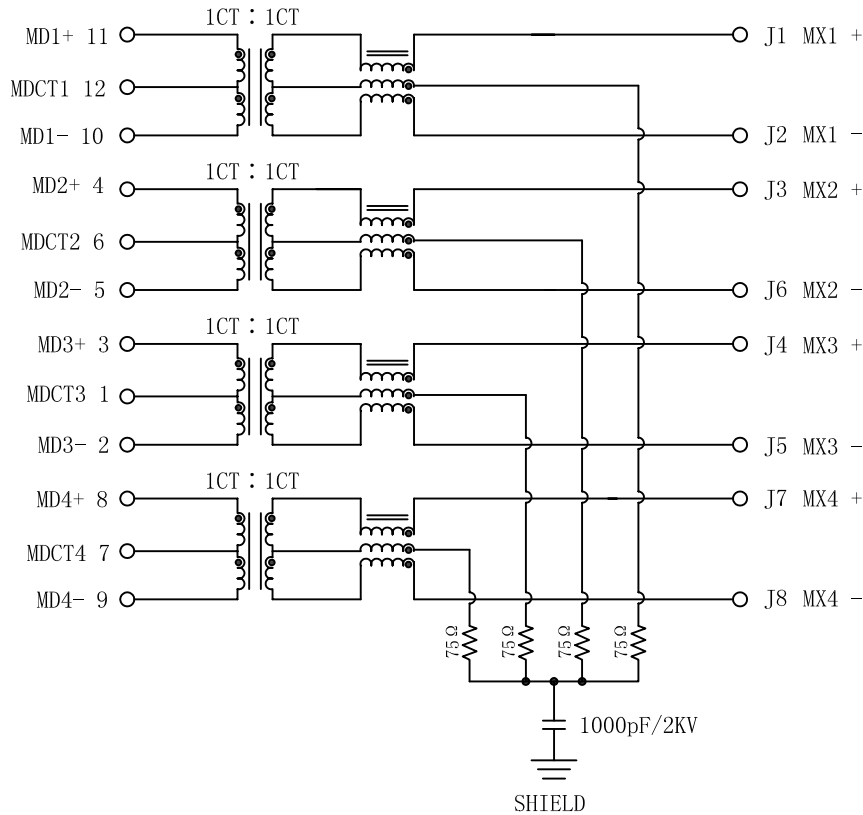


Schematic:

| REV. | ECN NO. | DESCRIPTION | DATE | APPD |
|------|---------|-------------|------------|------|
| A | REL | | 2012/03/15 | |

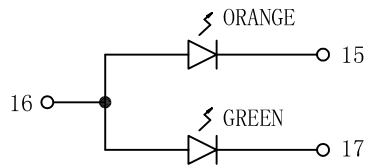
PCB CONNECTIONS



RJ45 CONNECTOR

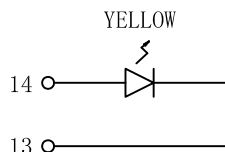
Electrical Specification @25°C

- Turns Ratio ($\pm 2\%$): 1CT : 1CT
- OCL: 350uH Min @100KHz/100mVrms
8mA DC Bias (0°C~70°C)
- Insertion Loss (dB Max):
1~100MHz: -1.2
- Return Loss (dB Typ @100 OHMS $\pm 15\%$):
1~10MHz: -18 30MHz: -18
60~80MHz: -12 80~100MHz: -10
- Crosstalk (dB Typ):
1~10MHz: -40 32~65MHz: -35
65~100MHz: -30
- Common Mode Rejection:
1~125MHz: -30dB Typ
- Hipot: 1500Vrms
- Operating Temperature: 0°C ~ +70°C.



LEFT LED

| LED POLARITY | | | COLOR |
|--------------|--------|--------|--------|
| PIN 15 | PIN 16 | PIN 17 | |
| - | + | / | ORANGE |
| / | + | - | GREEN |



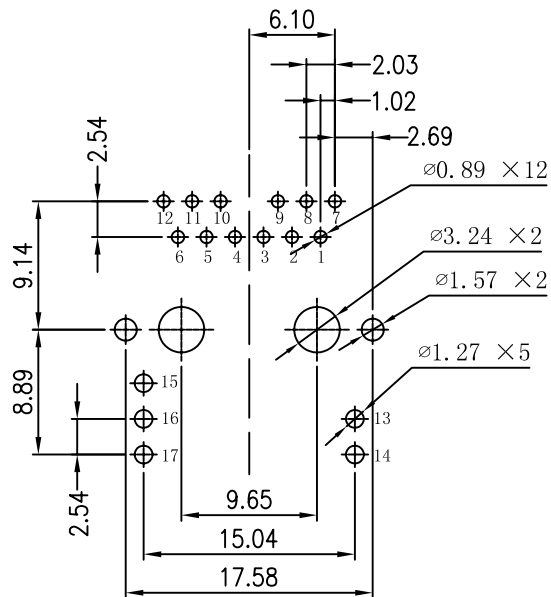
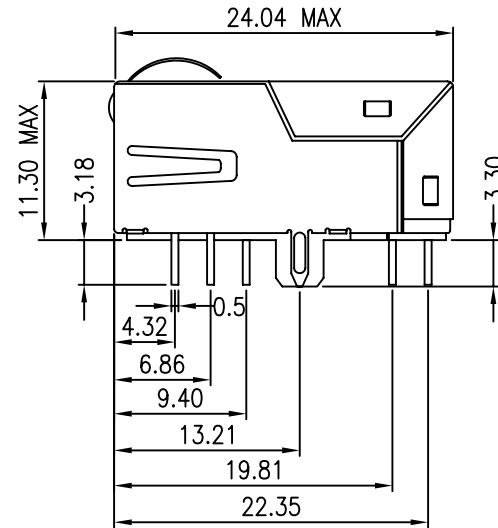
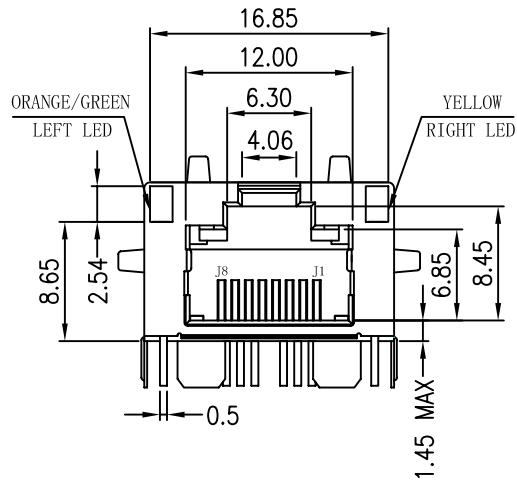
RIGHT LED

| LED POLARITY | | COLOR |
|--------------|--------|--------|
| PIN 13 | PIN 14 | |
| - | + | YELLOW |

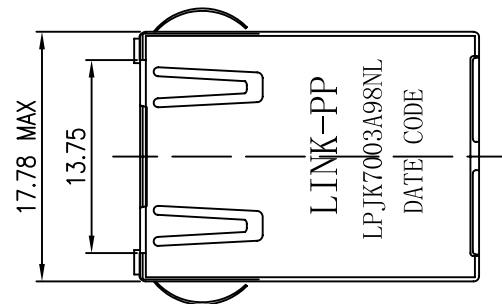


| | | | | |
|--------|---------------|------------|---|-----------------|
| X:X | ± 0.20 | APPD: | LINK-PP INT'L TECHNOLOGY CO., LIMITED | |
| X:XX | ± 0.10 | CHKD: | TITLE: RJ45 Connector With 1000 Base-TX Integrated Magnetic | |
| X:XXX | ± 0.05 | DR: TOM | PART NO.: LPJK7003A98NL | |
| ANGLES | $\pm 1^\circ$ | UNIT: mm | | |
| | SCALE: 2/1 | SHEET: 1/2 | REV: A | DWG: LP12082415 |

Mechanical:



SUGGESTED PCB LAYOUT(TOP VIEW)



| REV. | ECN NO. | DESCRIPTION | DATE | APPD |
|------|---------|-------------|------------|------|
| A | REL | | 2012/03/15 | |

NOTES:

1. Designed to support application, such as SOHO (ADSL modems), LAN-on-Motherboard (LOM), hub and Switches.
2. Meets IEEE 802.3 specification
3. Connector Materials:
Housing: Thermoplastic UL94V-0
Contact/Shield: Copper alloy
Shield plating: Nickel
Contact plating: Gold 6 micro-inches min. In contact area.
4. Wave peak temperature: 260°C, 5Sec.



| | | | | |
|--------|------------|------------|---|-----------------|
| X:X | ±0.20 | APPD: | LINK-PP INT'L TECHNOLOGY CO., LIMITED | |
| X:XX | ±0.10 | CHKD: | TITLE: RJ45 Connector With 1000 Base-TX Integrated Magnetic | |
| X:XXX | ±0.05 | DR: TOM | PART NO.: LPJK7003A98NL | |
| ANGLES | ±1° | UNIT: mm | | |
| | SCALE: 2/1 | SHEET: 2/2 | REV: A | DWG: LP12082415 |