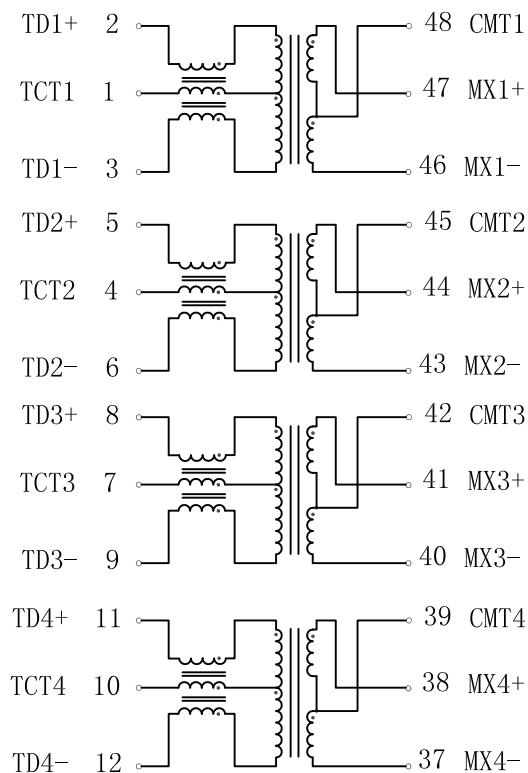


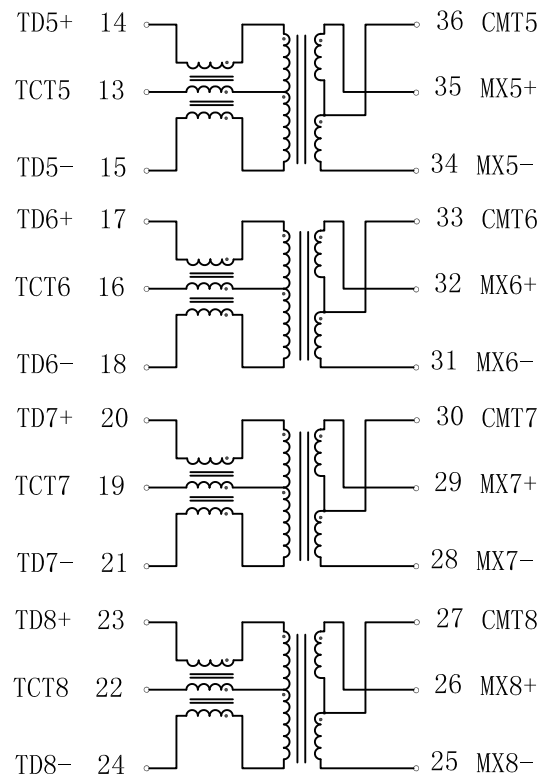
# Schematic:

REV.	ECN NO.	DESCRIPTION	DATE	APPD
A	REL		12/02/2014	

## Port 1



## Port 2



## Electrical Specifications @25°C

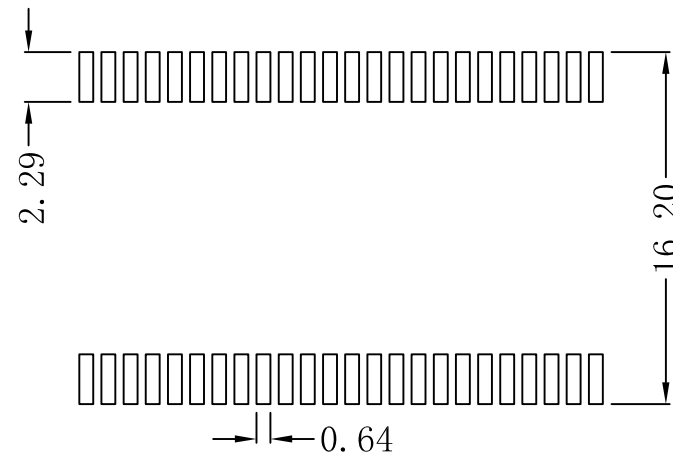
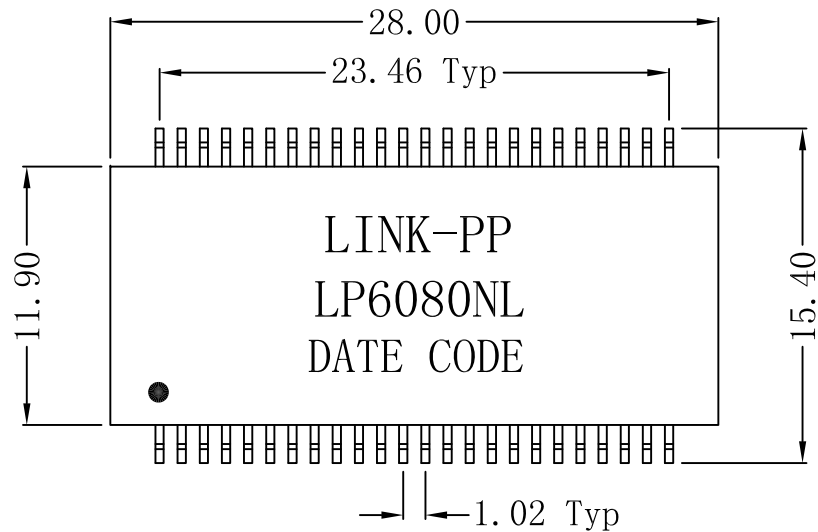
- Turns Ratio:  
1CT:1CT
- OCL: 350uH MIN  
@100KHz, 100mV, 8mADC Bias
- Insertion Loss (dB MAX):  
0.1MHz:-1.1      100MHz:-1.0  
125MHz:-2.0
- Return Loss (dB MIN):  
30MHz:-18      60MHz:-12  
80MHz:-12      100MHz:-10
- Crosstalk (dB MIN):  
30MHz:-43      60MHz:-37  
100MHz:-33
- Hipot (Vrms MIN): 1500
- Operating Temperature: -40°C ~ +85°C.



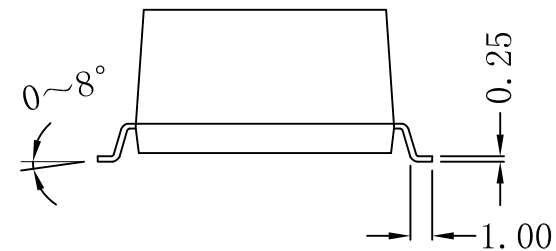
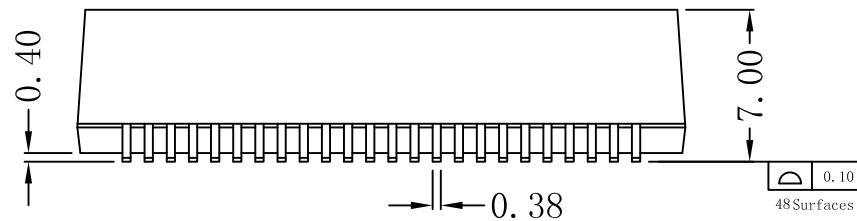
	APPD:	LINK-PP INT'L TECHNOLOGY CO., LIMITED		
	CHKD:	TITLE: 1000 Base-T Magnetic Modules For PoE Application		
X:XXX ±0.05	DR: TOM	PART NO.: LP6080NL		
ANGLES ±1°	UNIT: mm			
	SCALE: 2/1	SHEET: 1/2	REV: A	DWG NO.:

# Mechanical:

REV.	ECN NO.	DESCRIPTION	DATE	APPD
A	REL		12/02/2014	



SUGGESTED PAD LAYOUT



## NOTES:

1. Gigabit Transformer Modules With PoE compliance
2. Meets IEEE 802.3af specification
3. For RoHS part add suffix NL.
4. RoHS "NL" peak solder rating 245°C.



Dimensions: mm

Unless otherwise specified, all tolerances are  $\pm 0.25$

	APPD:	LINK-PP INT'L TECHNOLOGY CO., LIMITED		
	CHKD:			
X:XXX ±0.05	DR: TOM	TITLE: 1000 Base-T Magnetic Modules For PoE Application		
ANGLES ±1°	UNIT: mm	PART NO.: LP6080NL		
	SCALE: 2/1	SHEET: 2/2	REV: A	DWG NO.: