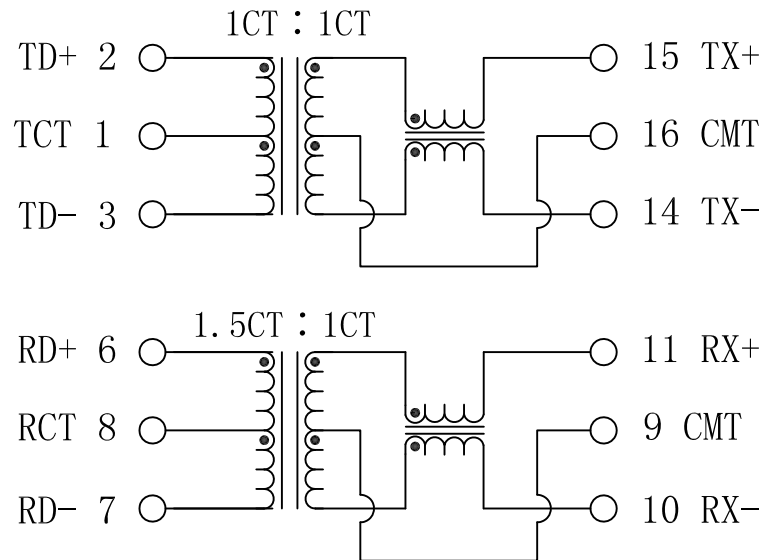


Schematic:

REV.	ECN NO.	DESCRIPTION	DATE	APPD
A	REL		2014/08/20	



Electrical Specifications @25°C

1. Turns Ratio:

$$(2-3) : (15-14) = 1CT : 1CT \quad \pm 2\%$$

$$(6-7) : (11-10) = 1.5CT : 1CT \quad \pm 2\%$$

2. OCL:

200uH MIN @100KHz, 0.1Vrms, at +25°C ;

100uH MIN @100KHz, 0.1Vrms, at -45°C ;

100uH MIN @100KHz, 0.1Vrms, at +95°C ;

3. Isolation(Input- Output):

1650Vrms, 6 Seconds MAX

4. Insertion Loss:

TX: 1-50MHz: -1.0dB MAX

RX: 1-50MHz: -1.5dB MAX

5. Return Loss(@100 Ω):

TX: 0.5-40MHz: -18dB MIN

60MHz: -14.5dB MIN

80MHz: -12dB MIN

RX: 0.5MHz: -18dB MIN

40MHz: -10dB MIN

60MHz: -8dB MIN

80MHz: -6dB MIN

6. Cross Talk:

30MHz: -45dB MIN

60MHz: -35dB MIN

100MHz: -30dB MIN

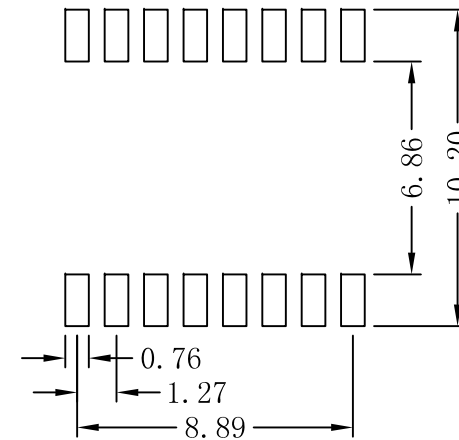
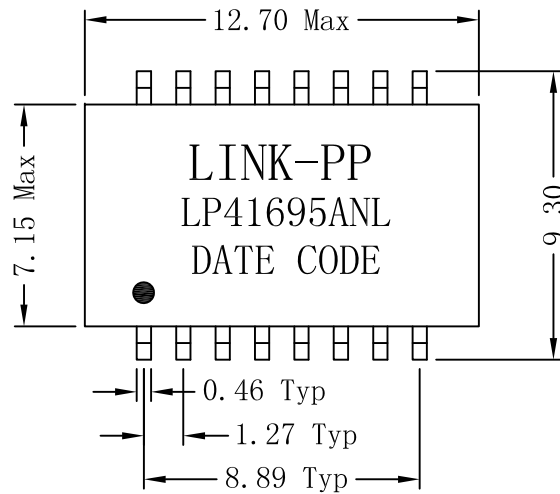
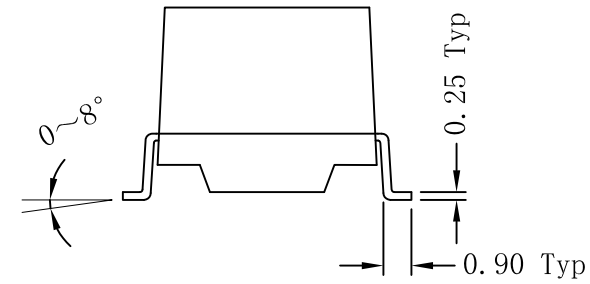
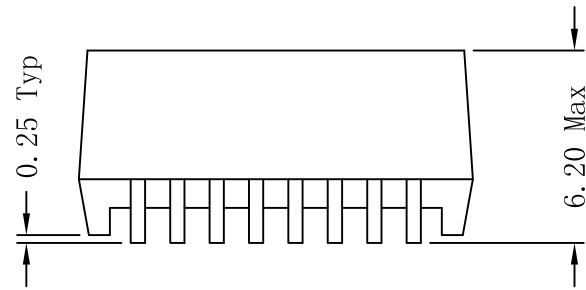
7. Operating Temperature: -40°C ~ +85°C.



X:X	APPD:	LINK-PP INT'L TECHNOLOGY CO., LIMITED		
X:XX	CHKD:	TITLE: 100 Base-T Single Port Transformer Modules		
X:XXX	DR: TOM	PART NO.: LP41695ANL		
ANGLES ±1°	UNIT: mm			
	SCALE: 2/1	SHEET: 1/2	REV: A	DWG NO.: LP14082001

Mechanical:

REV.	ECN NO.	DESCRIPTION	DATE	APPD
A	REL		2014/08/20	



SUGGESTED PAD LAYOUT

NOTES:

1. Designed to support application, such as SOHO (ADSL modems), LAN-on-Motherboard (LOM), hub and Switches.
2. With various Turns Ratios.
3. RoHS "NL" peak solder rating 260°C ±5°C.



Dimensions: mm

Unless otherwise specified, all tolerances are ±0.25

X:X	APPD:	LINK-PP INT'L TECHNOLOGY CO., LIMITED		
X:XX	CHKD:	TITLE: 100 Base-T Single Port Transformer Modules		
X:XXX	DR: TOM	PART NO.: LP41695ANL		
ANGLES ±1°	UNIT: mm			
	SCALE: 2/1	SHEET: 2/2	REV: A	DWG NO.: LP14082001