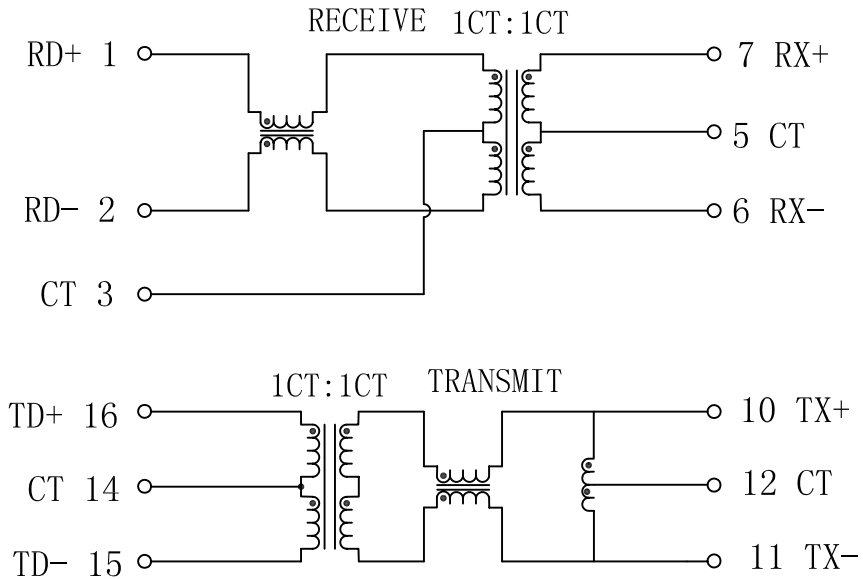


Schematic :

REV.	ECN NO.	DESCRIPTION	DATE	APPD
A	REL		11/12/2007	



Electrical Specifications @25°C

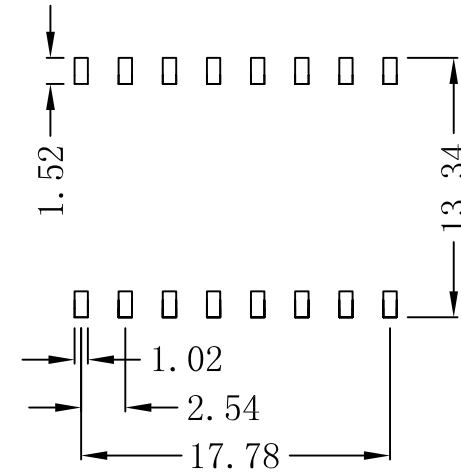
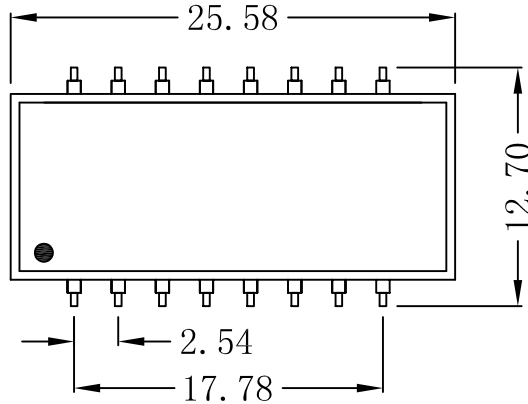
- Insertion Loss:
0.1-100MHz:-1.0dB MAX
- Return Loss(dB MIN @100Ω):
1-30MHz:-20 40MHz:-20
50MHz:-18 60-80MHz:-14
- Crosstalk(dB TYP):
30MHz:-50 60MHz:-40
100MHz:-40
- DCMR(dB MIN):
30MHz:-42 60MHz:-36
100MHz:-33
- Hipot: 1500Vrms MIN
- Operating Temperature:0~70°C



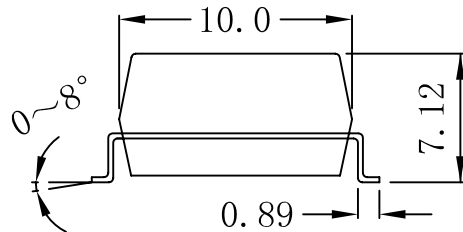
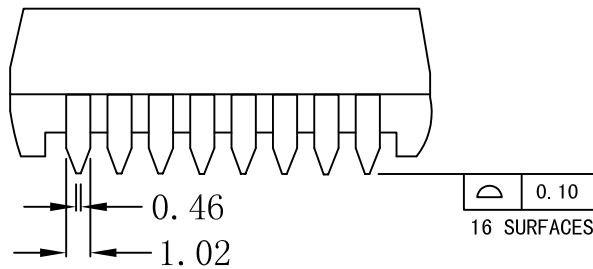
X:X	±0.20	APPD:	LINK-PP INT'L TECHNOLOGY CO., LIMITED	
X:XX	±0.10	CHKD:	Title: 10/100Base-T Single Port Transformer Modules	
X:XXX	±0.05	DR: TOM	PART NO.: LP1012NL	
ANGLES	±1°	UNIT: mm		
	SCALE: 2/1	SHEET: 1/2	REV: A	DWG NO.:

Mechanical :

REV.	ECN NO.	DESCRIPTION	DATE	APPD
A	REL		11/12/2007	



SUGGESTED PAD LAYOUT



NOTES:

1. Designed to support application, such as SOHO (ADSL modems), LAN-on-Motherboard (LOM), hub and Switches.
2. With various Turns Ratios.
3. 350uH min OCL with 8mA bias current.
4. RoHS "NL" peak solder rating 245°C.



X:X	±0.20	APPD:	LINK-PP INT'L TECHNOLOGY CO., LIMITED	
X:XX	±0.10	CHKD:	Title: 10/100Base-T Single Port Transformer Modules	
X:XXX	±0.05	DR: TOM	PART NO. : LP1012NL	
ANGLES	±1°	UNIT: mm		
SCALE: 2/1		SHEET: 2/2		REV: A
		DWG NO. :		