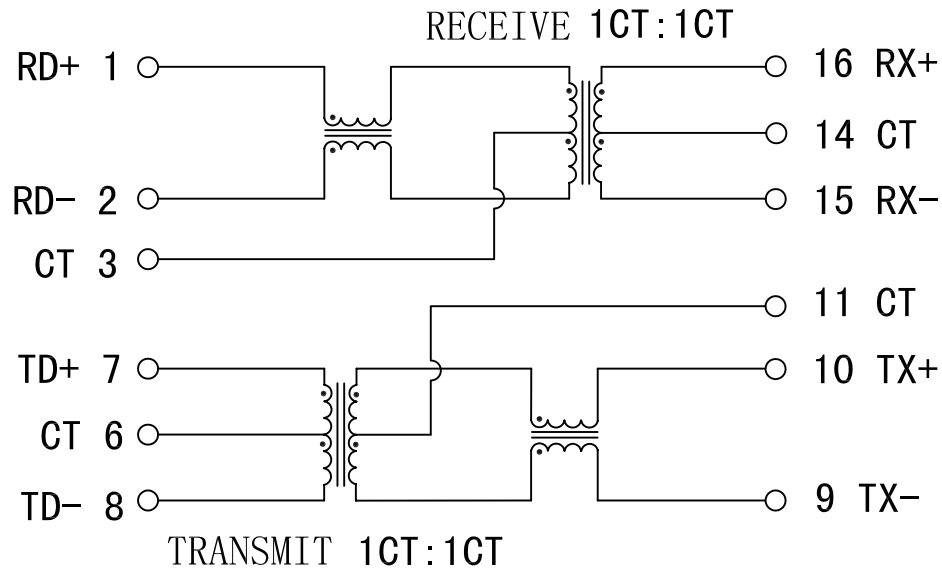


Schematic:

REV.	ECN NO.	DESCRIPTION	DATE	APPD
A	REL		11/08/2007	



Electrical Specification @25°C

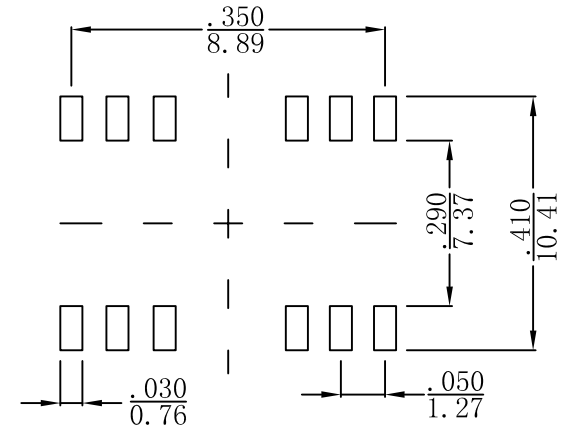
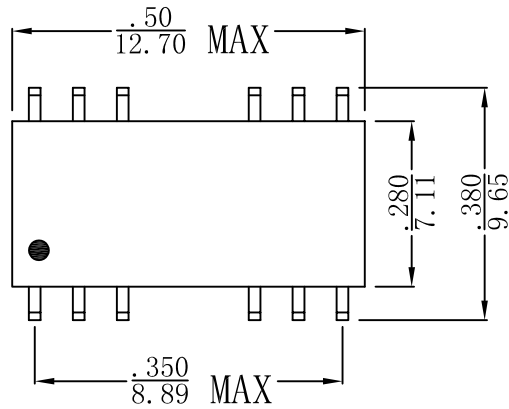
1. TURNS RATIO($\pm 2\%$):
TX=1CT:1CT RX=1CT:1CT
2. HIPOT:
1500VAC FOR 60 SECONDS
3. INSERTION LOSS:
-0.9dB MAX @ 100KHz TO 100MHz
4. RETURN LOSS:
-16dB MIN @ 30MHz
-12dB MIN @ 60MHz
-11dB MIN @ 80MHz
5. CROSS TALK:
-50dB MIN @ 30MHz
-45dB MIN @ 62MHz
-37dB MIN @ 100MHz
6. DCMR:
-35dB MIN @ 30MHz
-33dB MIN @ 50MHz
-20dB MIN @ 100MHz
7. OPERATING TEMPERATURE: 0~70°C.



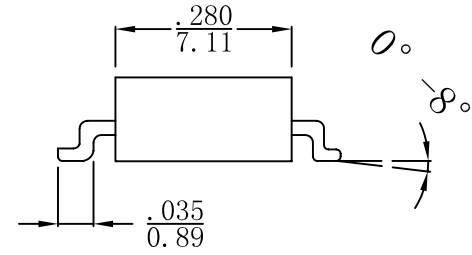
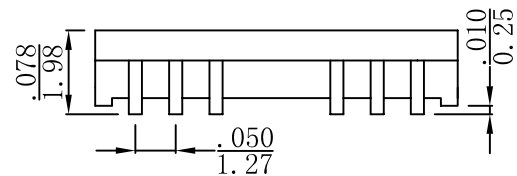
X:X	± 0.20	APPD:	LINK-PP INT'L TECHNOLOGY CO., LIMITED	
X:XX	± 0.10	CHKD:	<i>Title:</i> 10/100 Base PC Card Lan Magnetic Modules	
X:XXX	± 0.05	DR: TOM		
ANGLES	$\pm 1^\circ$	UNIT: Inches/mm	PART NO.: LP0013NL	
	SCALE: 2/1	SHEET: 2/2	REV: A	DWG NO.:

Mechanical:

REV.	ECN NO.	DESCRIPTION	DATE	APPD
A	REL		11/08/2007	



SUGGESTED PAD LAYOUT



NOTES:

1. Low profile package
2. Isolation voltage: 1500Vrms
3. For RoHS part add suffix NL
4. RoHS "NL" peak solder rating $255 \pm 5^\circ\text{C}$.



X:X	±0.20	APPD:	LINK-PP INT'L TECHNOLOGY CO., LIMITED	
X:XX	±0.10	CHKD:	Title: 10/100 Base PC Card Lan Magnetic Modules	
X:XXX	±0.05	DR: TOM		
ANGLES	±1°	UNIT: Inches/mm	PART NO.:	LP0013NL
	SCALE: 2/1	SHEET: 1/2	REV: A	DWG NO.: