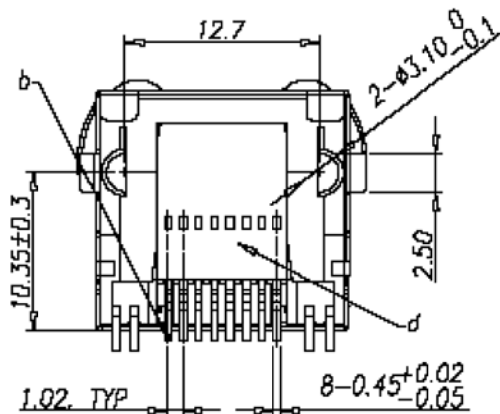
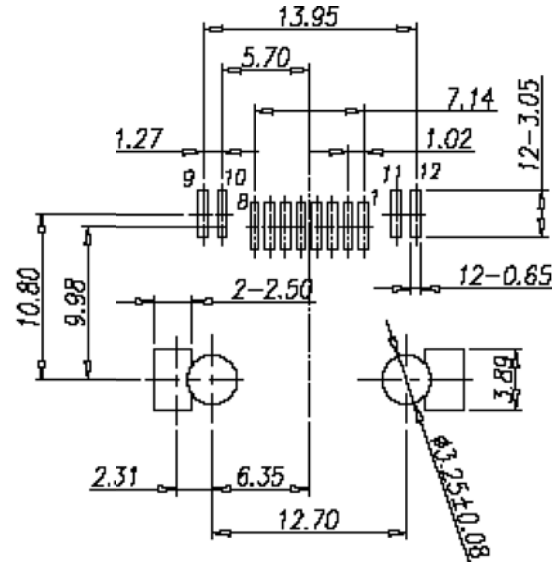
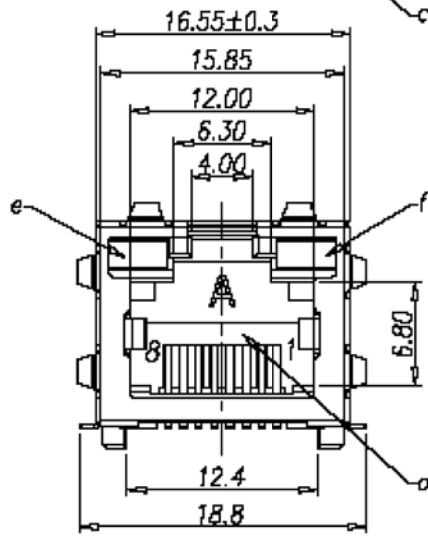
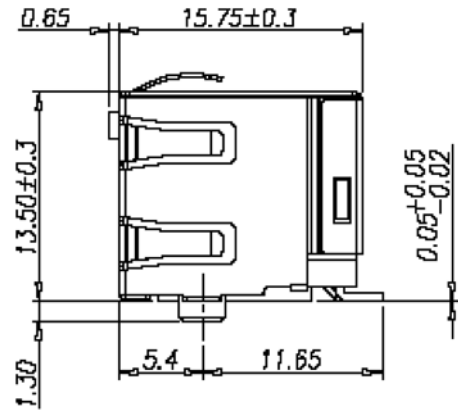
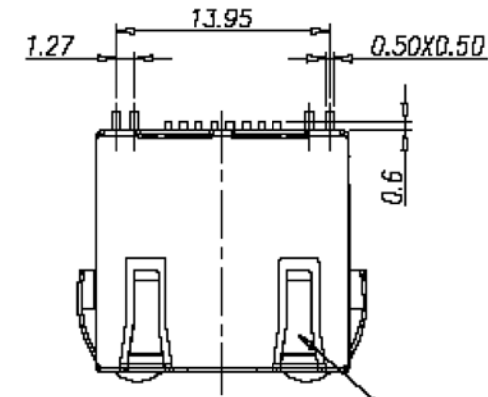


Mechanical:

REV.	ECN NO.	DESCRIPTION	DATE	APPD
A	REL		2011/08/31	



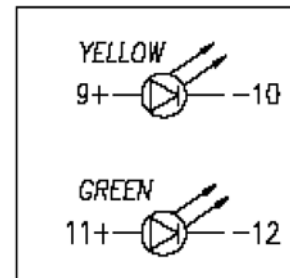
RECOMMEND PCB LAYOUT
 PCB THICKNESS: 1.60mm.
 Jack Top View
 PCB LAYOUT TOLERANCE: ±0.05mm.

Specifications:

1. Rated Current: 1.5A
2. Contact resistance: 40mΩ MAX.
3. Insulation resistance: 500MΩ MIN.
4. Dielectric withstand: 500V AC for 1 minute
5. Operating temperature: -40°C~+80°C
6. Insert force: 35N MAX.
7. Withdraw force: 10N MIN.
8. Insertion/Extraction life: 750 Cycles
9. To Conform to the "RoHS Directive"
10. Resistance to reflow Soldering Heat 260°C 10 Seconds
11. Solder ability Temperature 245±5°C, 5±0.5 Sec



LPJES101XAGNL



Gold Plating	"X"
1.5u"	1
3u"	2
6u"	3
15u"	4
30u"	5
50u"	6

X:X ±0.25	APPD:	LINK-PP INT'L TECHNOLOGY CO., LIMITED
X:XX ±0.10	CHKD:	
X:XXX ±0.05	DR: TOM	TITLE: RJ45 1×1 CONNECTOR
ANGLES ±1°	UNIT: mm	PART NO.: LPJES101XAGNL
	SCALE: 2/1	SHEET: 1/1
	REV: A	DWG NO.: LP110831020