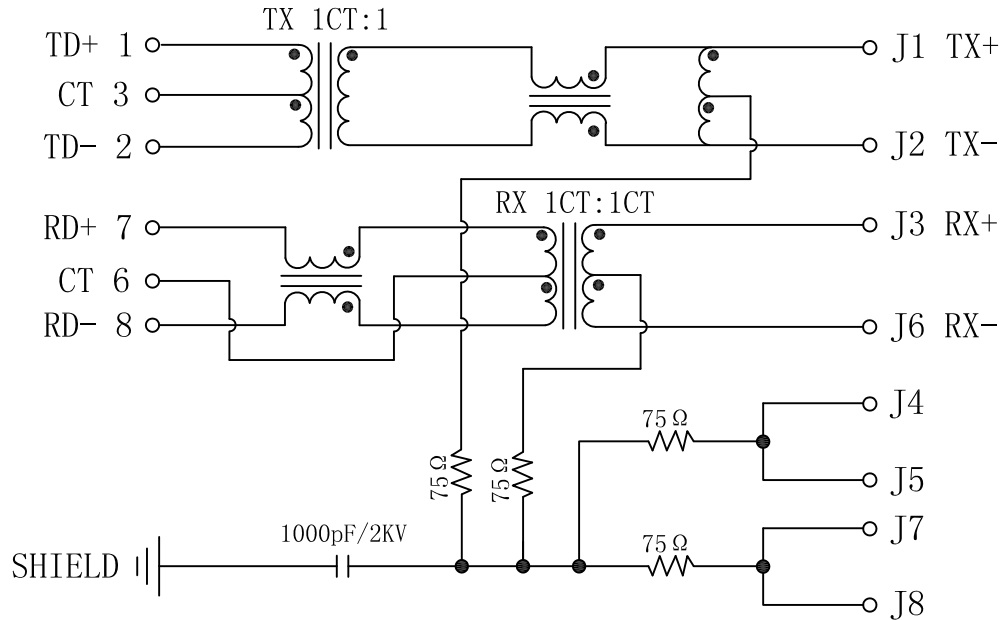


Schematic:

REV.	ECN NO.	DESCRIPTION	DATE	APPD
A	REL		29/01/2010	

PCB SIDE TO PHY



CABLE SIDE

Electrical Specifications @25°C

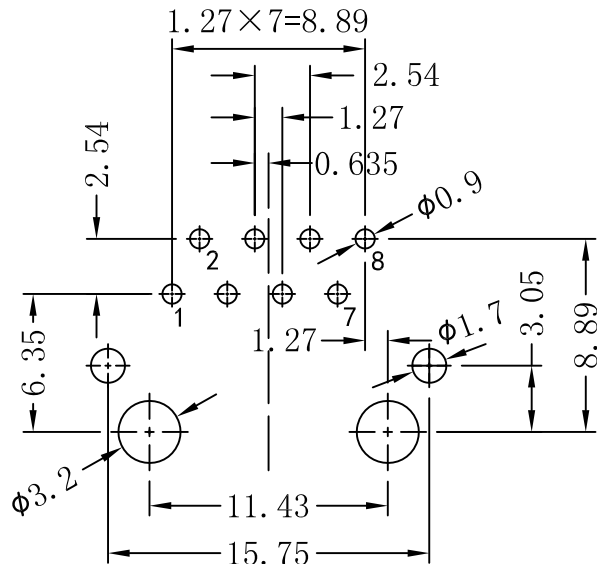
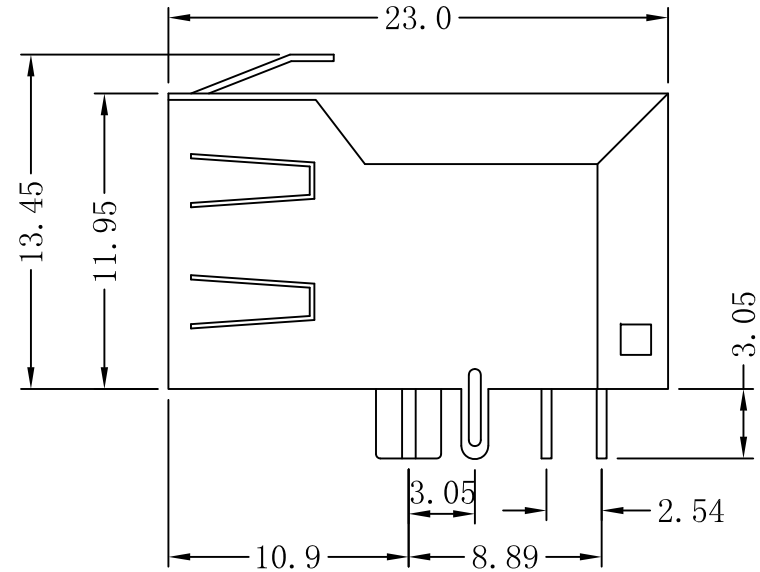
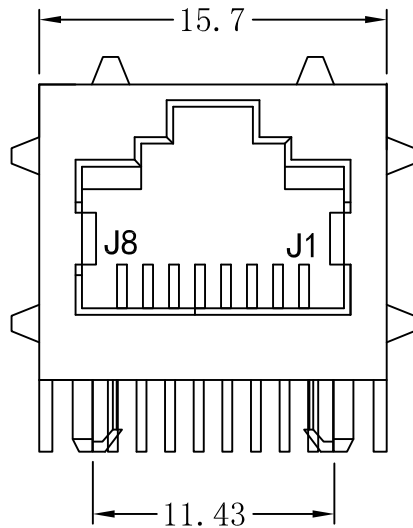
- Turns Ratio ($\pm 5\%$) :
TX=1CT:1 RX=1CT:1CT
- Inductance: 350uH Min
@100KHz 0.1V 8mADC Bias.
- Insertion Loss:
1-65MHz: -1.0dB MAX
- Return Loss (dB Typ):
1-10MHz: -20 10-30MHz: -16
30-60MHz: -12 60-80MHz: -10
- Crosstalk (dB Typ):
1-30MHz: -40 30-60MHz: -35
60-100MHz: -30
- Common Mode Rejection (dB Typ):
1-50MHz: -30 50-150MHz: -20
- Isolation Voltage: 1500Vrms
- Operating Temperature: 0°C ~ 70°C.



X:X	± 0.20	APPD:	LINK-PP	
X:XX	± 0.10	CHKD:	LINK-PP INT'L TECHNOLOGY CO., LIMITED	
X:XXX	± 0.05	DR: TOM	TITLE: RJ45 Connector With 10/100 Base-TX Integrated Magnetic TAB-UP	
ANGLES	$\pm 1^\circ$	UNIT: mm	PART NO.: LPJ15125CNL	
	SCALE: 2/1	SHEET: 1/2	REV: A	DWG NO: LP10012918

Mechanical:

REV.	ECN NO.	DESCRIPTION	DATE	APPD
A	REL		29/01/2010	



SUGGESTED PCB LAYOUT(TOP VIEW)



NOTES:

1. Designed to support application, such as SOHO (ADSL modems), LAN-on-Motherboard (LOM), hub and Switches.
2. Meets IEEE 802.3 specification
3. Connector Materials:
Housing: Thermoplastic UL94V-0
Contact/Shield: Copper alloy
Shield plating: Nickel
Contact plating: Gold 6 micro-inches min. In contact area.
4. Wave solder tip temperature: 265°C Max
Wave solder tip temperature time: 5 Sec Max

X:X	±0.20	APPD:	LINK-PP
X:XX	±0.10	CHKD:	LINK-PP INT'L TECHNOLOGY CO., LIMITED
X:XXX	±0.05	DR: TOM	TITLE: RJ45 Connector With 10/100 Base-TX Integrated Magnetic TAB-UP
ANGLES	±1°	UNIT: mm	PART NO.: LPJ15125CNL
	SCALE: 2/1	SHEET: 2/2	REV: A DWG NO: LP10012918