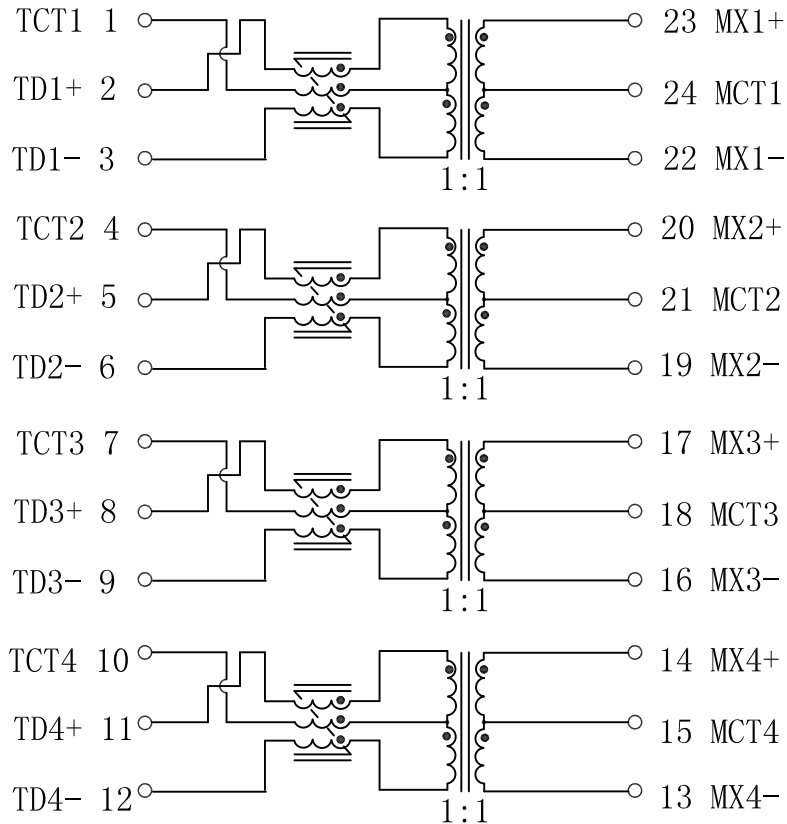


# Schematic:

REV.	ECN NO.	DESCRIPTION	DATE	APPD
A	REL		2013/11/20	



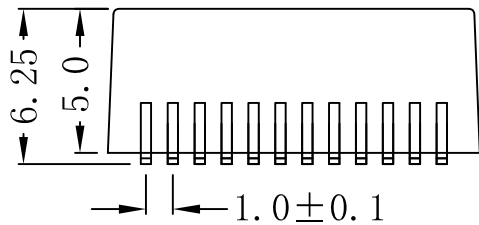
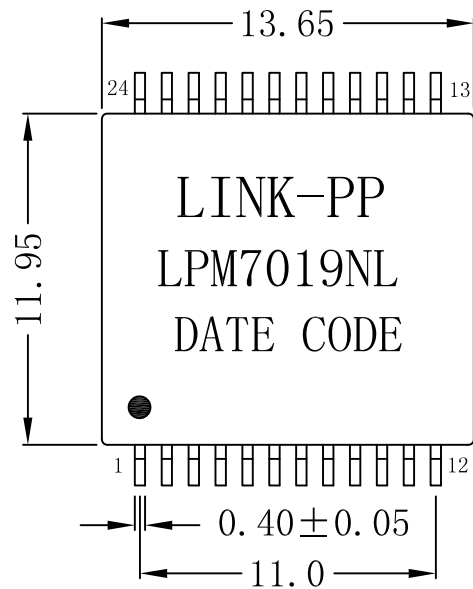
## Electrical Specification @25°C

- Turns Ratio: 1CT : 1CT  $\pm 3\%$
- Inductance (OCL):  
200uH Min @100KHz, 100mV
- Insertion Loss:  
100KHz: -3.0dB Max  
1-500MHz: -1.0dB Max (-0.6 dB TYP)
- Return Loss (Z OUT = 100 OHM  $\pm 1\%$ ):  
1-40MHz: -18dB Min  
40-500MHz:  $-17 + 10 * \text{LOG}(f/40)$
- Crosstalk:  
1-100MHz: -40dB Min  
100-500MHz: -30dB Min
- Common Mode Rejection Ratio:  
1-100MHz: -35dB Min  
100-300MHz: -30dB Min  
3600-500MHz: -25dB Min
- Common to Differential Mode Rejection:  
1-250MHz: -30dB Min  
250-500MHz: -22dB Min
- Hipot: 1500Vrms MIN
- Operating Temperature: 0°C ~ 70°C.



X:X	APPD:	LINK-PP INT'L TECHNOLOGY CO., LIMITED		
X:XX	CHKD:	TITLE: 10GBase-T Magnetic Modules		
X:XXX	DR: TOM	PART NO.: LPM7019NL		
ANGLES $\pm 1^\circ$	UNIT: mm	SCALE: 2/1	SHEET: 1/2	REV: A
		DWG NO.: LP14090210		

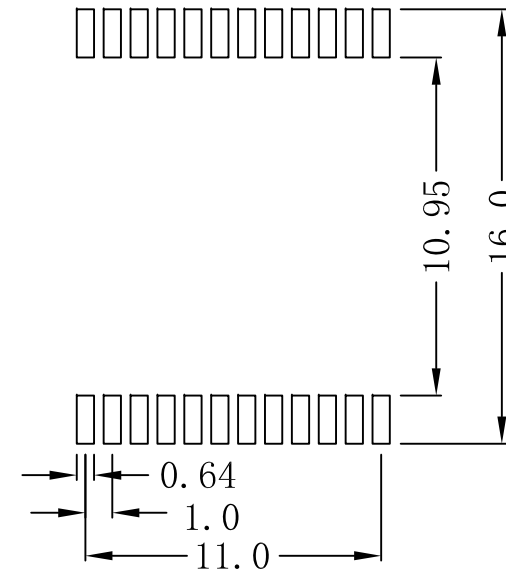
# Mechanical :



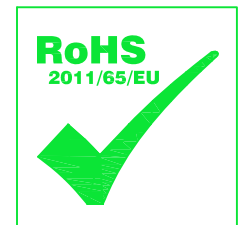
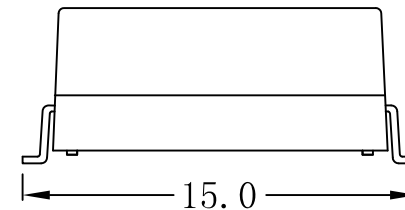
## NOTES:

1. Designed to Support 10GBASE-T Transceivers
2. Compliant with IEEE 802.3 standard
3. Qualified with top 10Gig PHY Manufacturers
4. RoHS peak reflow temperature rating 245°C
5. Low profile package for PCI Express
6. Fine-tuned magnetics to specific PHY vendors

REV.	ECN NO.	DESCRIPTION	DATE	APPD
A	REL		2013/11/20	



SUGGESTED PAD LAYOUT



Dimensions: mm

Unless otherwise specified, all tolerances are ±0.25

X:X	APPD:	LINK-PP INT'L TECHNOLOGY CO., LIMITED		
X:XX	CHKD:	TITLE: 10GBase-T Magnetic Modules		
X:XXX	DR: TOM	PART NO.: LPM7019NL		
ANGLES ±1°	UNIT: mm			
	SCALE: 2/1	SHEET: 2/2	REV: A	DWG NO.: LP14090210