

Schematic:

REV.	ECN NO.	DESCRIPTION	DATE	APPD
A	REL		28/07/2007	

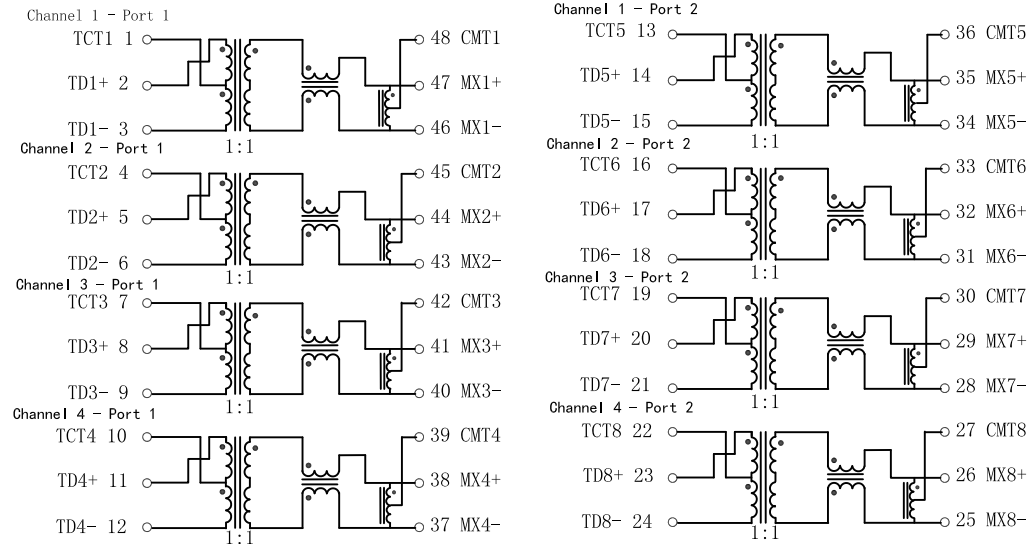
Electrical Specification @25°C

- Truns Ratios: 1CT : 1
- OCL: 350uH Min
@100KHz, 100mV, 8mA DC Bias
- Insertion Loss:
1-100MHz: -1.4dB MAX
- Return Loss (dB MIN):

1-30MHz: -16	40MHz: -14.4
50MHz: -13.1	60-80MHz: -12
100MHz: -10	
- Crosstalk (dB MIN):

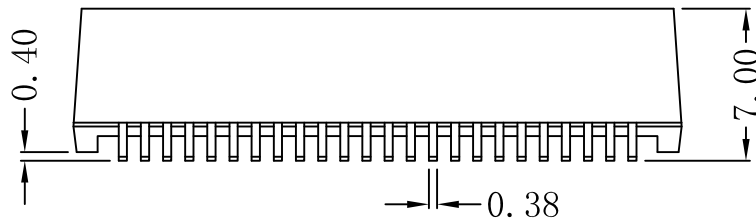
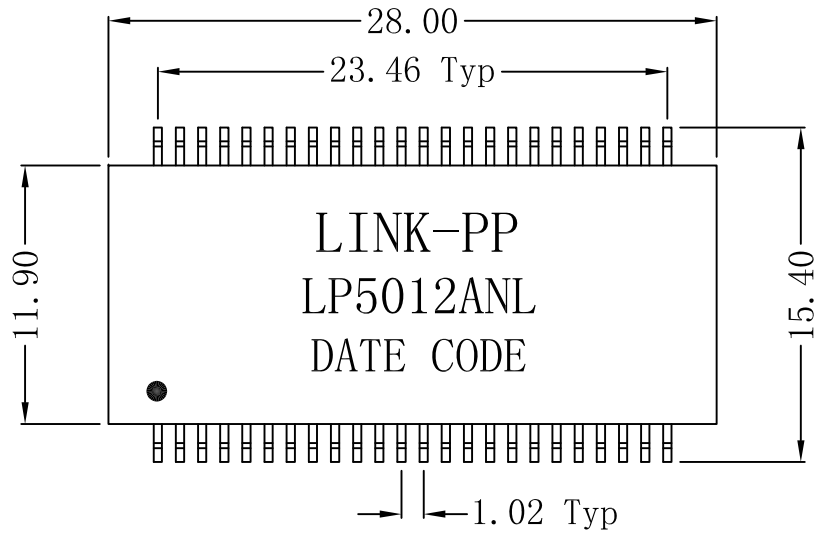
30MHz: -43.5	60MHz: -37.5
100MHz: -33	
- DCMR (dB MIN):

30MHz: -45	60MHz: -40
100MHz: -35	
- Isolation Voltage: 1500Vrms
- Operating Temperature: -40°C ~ +85°C.

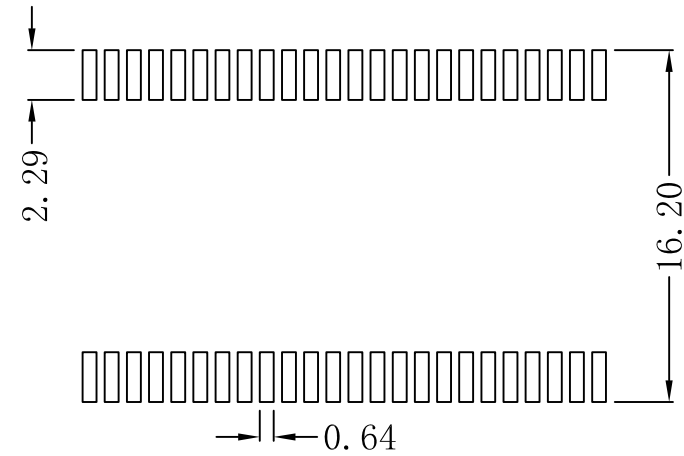


X:X	APPD:	LINK-PP INT'L TECHNOLOGY CO., LIMITED	
X:XX	CHKD:	TITLE: 1000Base-T Magnetic Modules	
X:XXX	DR: C.H.Y	PART NO.: LP5012ANL	
ANGLES ±1°	UNIT: mm		
	SCALE: 2/1	SHEET: 1/2	REV: A DWG NO.:

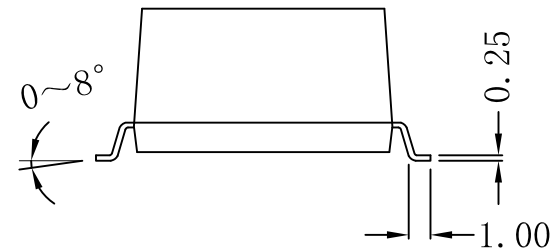
Mechanical:



REV.	ECN NO.	DESCRIPTION	DATE	APPD
A	REL		28/07/2007	



SUGGESTED PAD LAYOUT



Dimensions: mm

Unless otherwise specified, all tolerances are ± 0.25

NOTES:

1. Designed to support application, such as SOHO (ADSL modems), LAN-on-Motherboard (LOM), hub and Switches.
2. With various Turns Ratios.
3. RoHS "NL" peak solder rating $260^{\circ}\text{C} \pm 5^{\circ}\text{C}$.



X:X	APPD:	LINK-PP INT'L TECHNOLOGY CO., LIMITED		
X:XX	CHKD:	TITLE: 1000Base-T Magnetic Modules		
X:XXX	DR: C.H.Y	PART NO.: LP5012ANL		
ANGLES $\pm 1^{\circ}$	UNIT: mm			
	SCALE: 2/1	SHEET: 2/2	REV: A	DWG NO.: