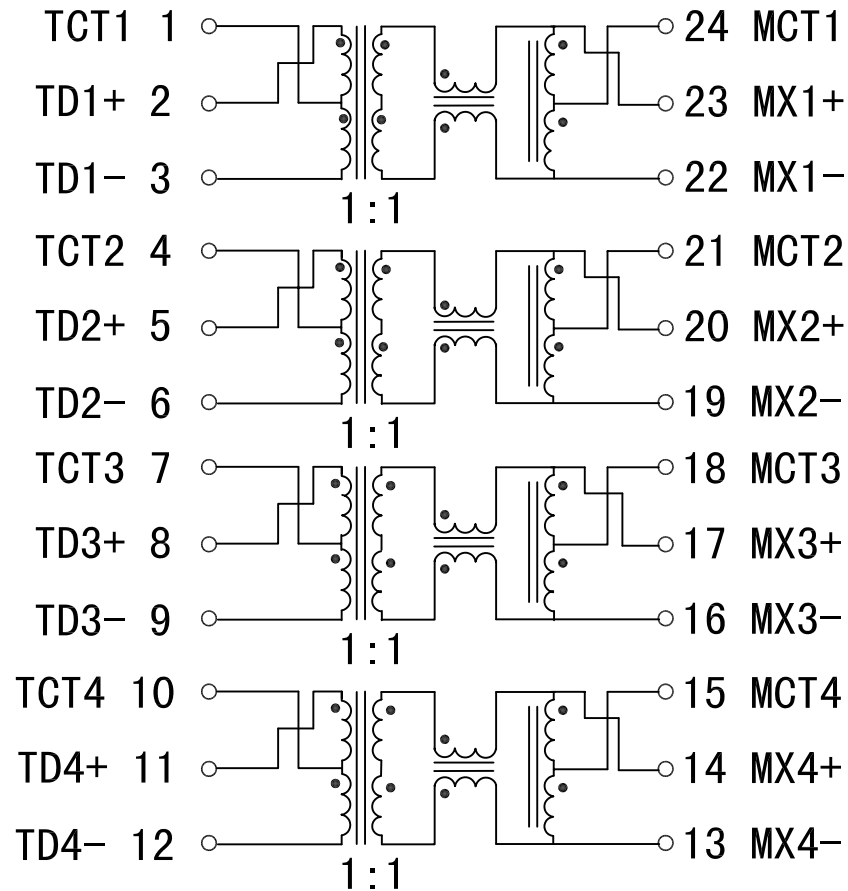


# Schematic:

REV.	ECN NO.	DESCRIPTION	DATE	APPD
A	REL		2010/04/22	



## Electrical Specifications @25°C

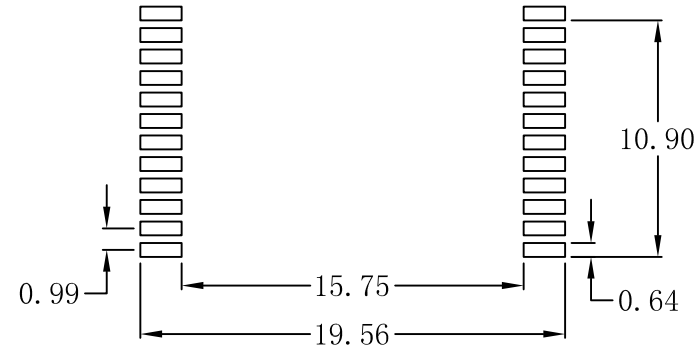
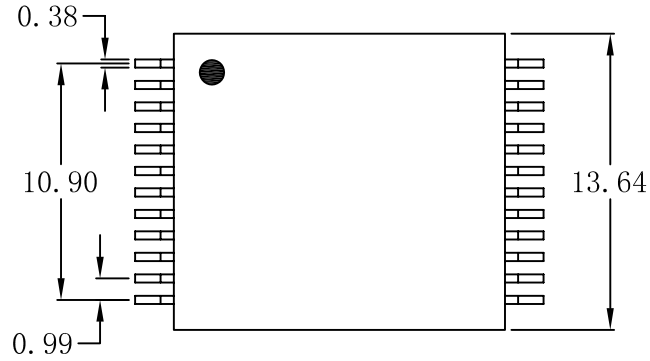
- Insertion Loss:  
1-100MHz:-1.0dB MAX
- Return Loss (dB MIN) :  
1-30MHz:-18      40MHz:-18  
50MHz:-16      60-80MHz:-12  
100MHz:-10
- Crosstalk (dB MIN) :  
30MHz:-45      60MHz:-40  
100MHz:-33
- DCMR (dB MIN) :  
30MHz:-43      60MHz:-37  
100MHz:-33
- Hipot:1500Vrms MIN
- Operating Temperature: 0~70°C.



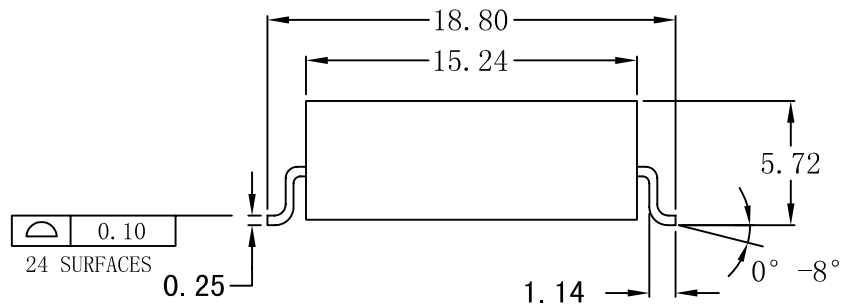
X:X	±0.20	APPD:	LINK-PP INT'L TECHNOLOGY CO., LIMITED	
X:XX	±0.10	CHKD:	<i>Title:</i> 1000Base-T Magnetic Modules	
X:XXX	±0.05	DR: TOM		
ANGLES	±1°	UNIT: mm	PART NO. :	LP5008ANLE
	SCALE: 2/1	SHEET: 2/2	REV: A	DWG NO. : LP10042202

# Mechanical :

REV.	ECN NO.	DESCRIPTION	DATE	APPD
A	REL		2010/04/22	



**SUGGESTED PAD LAYOUT**



0.10  
24 SURFACES

## NOTES:

1. Designed to support application, such as SOHO (ADSL modems), LAN-on-Motherboard (LOM), hub and Switches.
2. With various Turns Ratios.
3. 350uH min OCL with 8mA bias current.
4. RoHS "NLE" peak solder rating 235°C.



X:X	±0.20	APPD:	LINK-PP INT'L TECHNOLOGY CO., LIMITED	
X:XX	±0.10	CHKD:	<i>Title:</i> 1000Base-T Magnetic Modules	
X:XXX	±0.05	DR: TOM		
ANGLES	±1°	UNIT: mm	PART NO. :	LP5008ANLE
	SCALE: 2/1	SHEET: 1/2	REV: A	DWG NO. : LP10042202