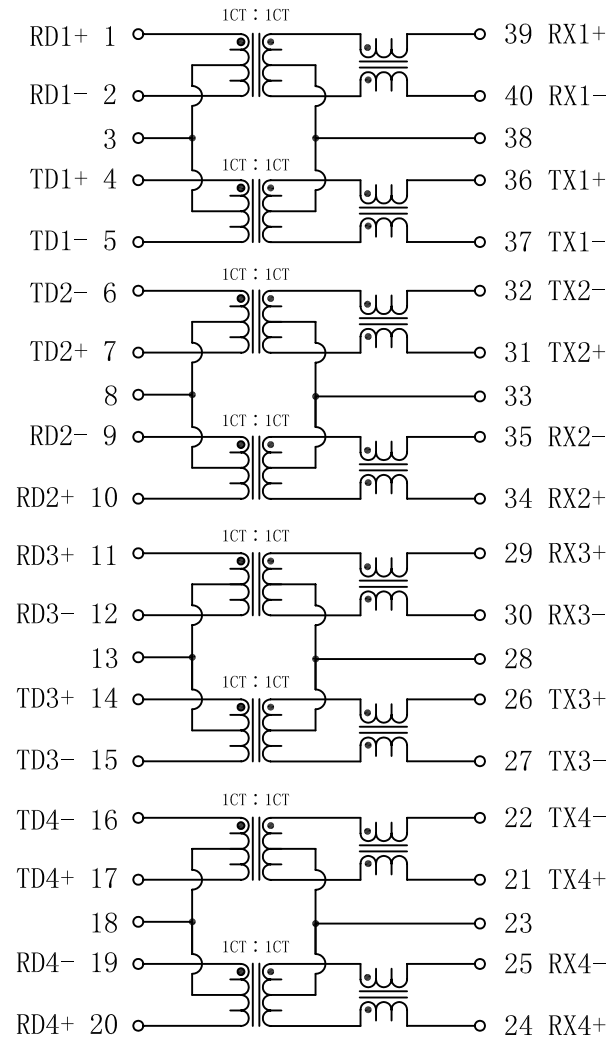


# Schematic:

REV.	ECN NO.	DESCRIPTION	DATE	APPD
A	REL		2010/12/22	



## Electrical Specification @25°C

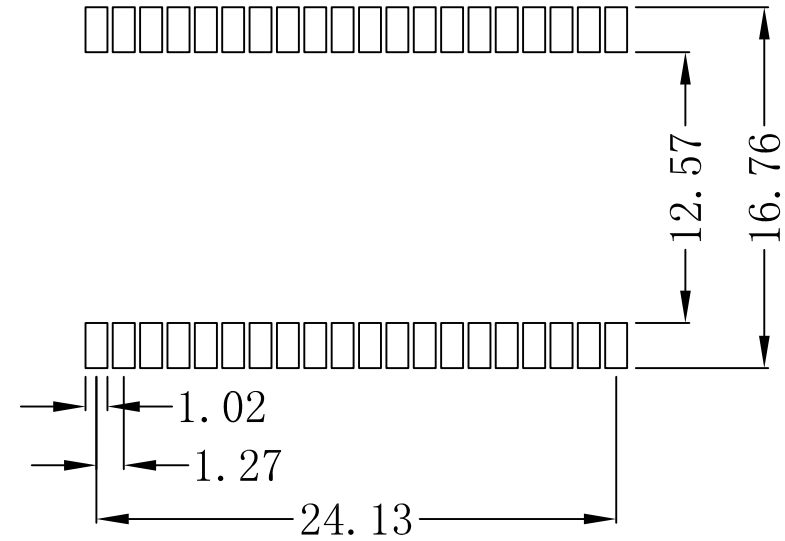
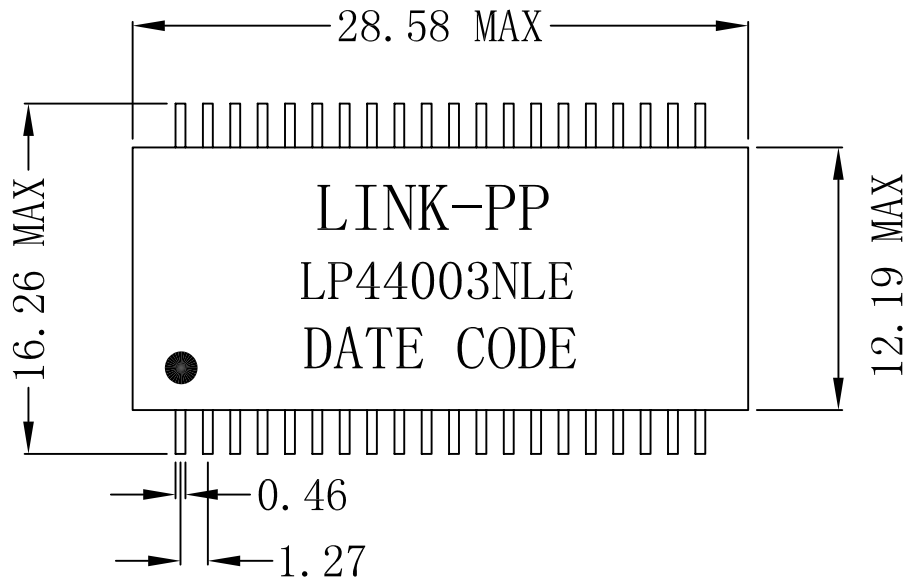
- Turns Ratio ( $\pm 5\%$ ):  
TX=1CT:1CT      RX=1CT:1CT
- OCL (100KHz, 100mV, 8mA DC Bias):  
350uH Min
- Insertion Loss:  
0.3-100MHz: -1.15dB Max
- Return Loss (dB Min):  
0.3-30MHz: -16  
30-60MHz: -12  
60-80MHz: -10
- Crosstalk (dB Min):  
0.3-60MHz: -40  
60-100MHz: -35
- Differential To Common Mode Rejection:  
60MHz: -37dB Min  
100MHz: -28dB Min  
200MHz: -25dB Min
- Hipot: 1500Vrms
- Operating Temperature: 0~70°C.



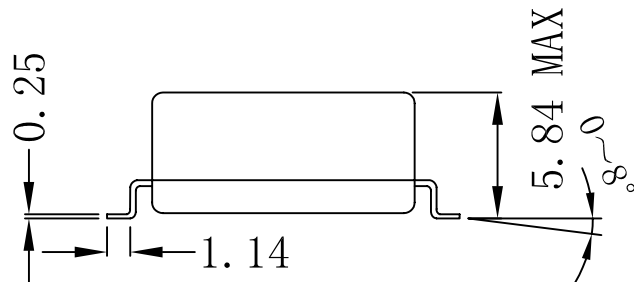
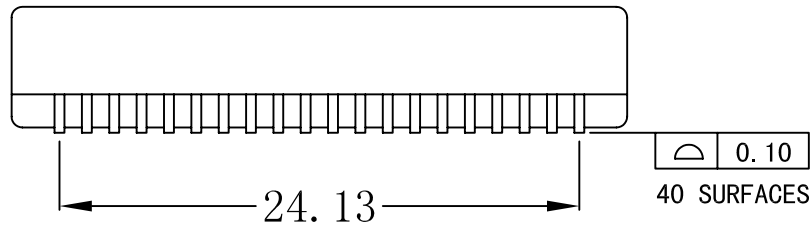
X:X	$\pm 0.20$	APPD:	LINK-PP INT'L TECHNOLOGY CO., LIMITED	
X:XX	$\pm 0.10$	CHKD:		
X:XXX	$\pm 0.05$	DR: TOM	Title: 10/100Base-T Quad Port Transformer Modules	
ANGLES	$\pm 1^\circ$	UNIT: mm	PART NO.: LP44003NLE	
	SCALE: 2/1	SHEET: 1/2	REV: A	DWG NO.: LP10122203

**Mechanical :**

REV.	ECN NO.	DESCRIPTION	DATE	APPD
A	REL		2010/12/22	



SUGGESTED PAD LAYOUT



NOTES:

1. Designed to support application, such as SOHO (ADSL modems), LAN-on-Motherboard (LOM), hub and Switches.
2. RoHS "NLE" peak solder rating 235°C.

X:X	±0.20	APPD:	LINK-PP INT'L TECHNOLOGY CO., LIMITED	
X:XX	±0.10	CHKD:		
X:XXX	±0.05	DR: TOM	Title: 10/100Base-T Quad Port Transformer Modules	
ANGLES	±1°	UNIT: mm	PART NO. : LP44003NLE	
	SCALE: 2/1	SHEET: 2/2	REV: A	DWG NO. : LP10122203