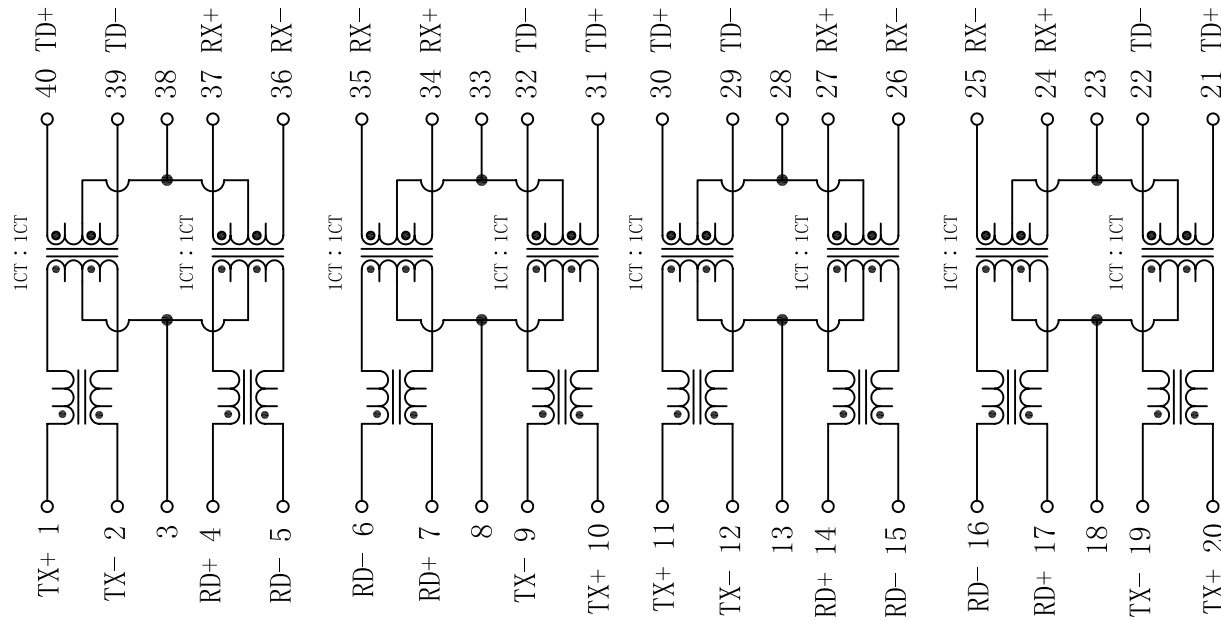


Schematic:

REV.	ECN NO.	DESCRIPTION	DATE	APPD
A	REL		2011/11/09	



Electrical Specifications @25°C

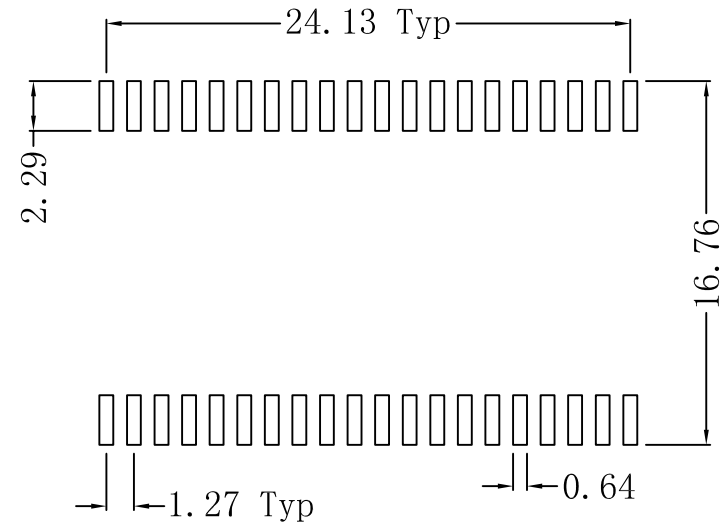
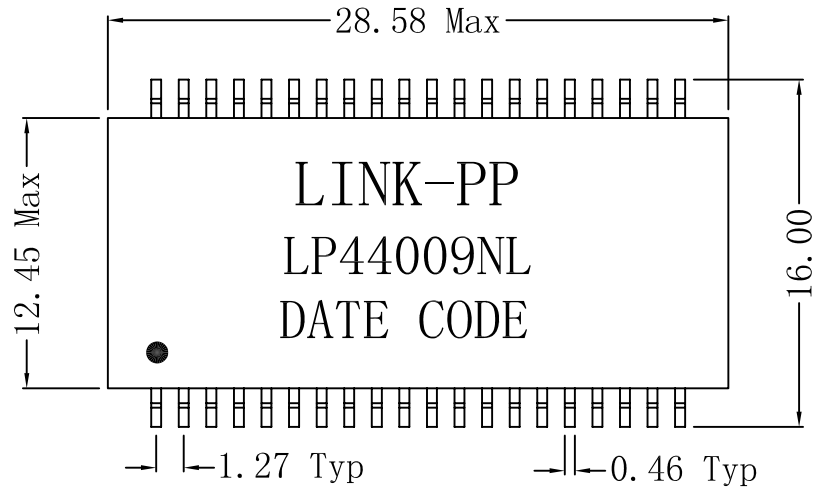
- Turns ratio ($\pm 5\%$):
TX=1CT : 1CT RX=1CT : 1CT
- OCL: 350uH MIN
@100KHz/0.1V with 8mA DC Bias
- Insertion Loss:
0.3-100MHz: -1.15dB MAX
- Return Loss (dB MIN):
0.3-30MHz: -16; 30-60MHz: -12
60-80MHz: -10
- Crosstalk (dB MIN):
0.3-60MHz: -40; 60-100MHz: -35
- Differential to Common Mode Rejection:
60MHz: -37dB MIN; 100MHz: -28dB MIN
200MHz: -25dB MIN
- Hipot: 1500Vrms MIN
- Operating Temperature: 0°C ~ 70°C.



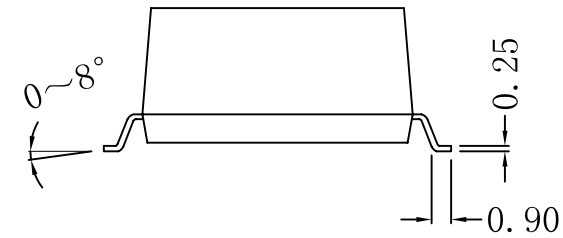
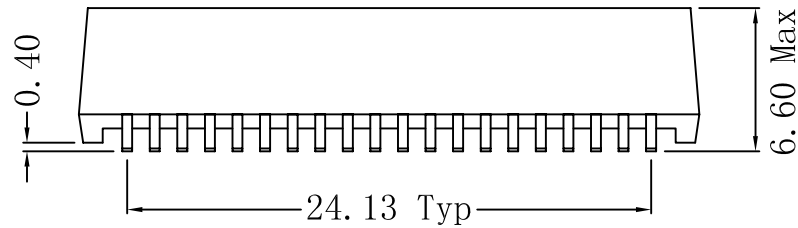
X:X	APPD:	LINK-PP INT'L TECHNOLOGY CO., LIMITED
X:XX	CHKD:	
X:XXX	DR: TOM	<i>Title:</i> 10/100Base-TX Quad Port Transformer Modules
ANGLES $\pm 1^\circ$	UNIT: mm	PART NO.: LP44009NL
	SCALE: 2/1	SHEET: 1/2
	REV: A	DWG NO.: LP11110920

Mechanical :

REV.	ECN NO.	DESCRIPTION	DATE	APPD
A	REL		2011/11/09	



SUGGESTED PAD LAYOUT



Dimensions: mm
Unless otherwise specified, all tolerances are ± 0.25

NOTES:

1. Designed to support application, such as SOHO (ADSL modems), LAN-on-Motherboard (LOM), hub and Switches.
2. With various Turns Ratios.
3. RoHS "NL" peak solder rating 245°C.



X:X	APPD:	LINK-PP INT'L TECHNOLOGY CO., LIMITED
X:XX	CHKD:	
X:XXX	DR: TOM	<i>Title:</i> 10/100Base-TX Quad Port Transformer Modules
ANGLES $\pm 1^\circ$	UNIT: mm	PART NO.: LP44009NL
	SCALE: 2/1	SHEET: 2/2
	REV: A	DWG NO.: LP11110920