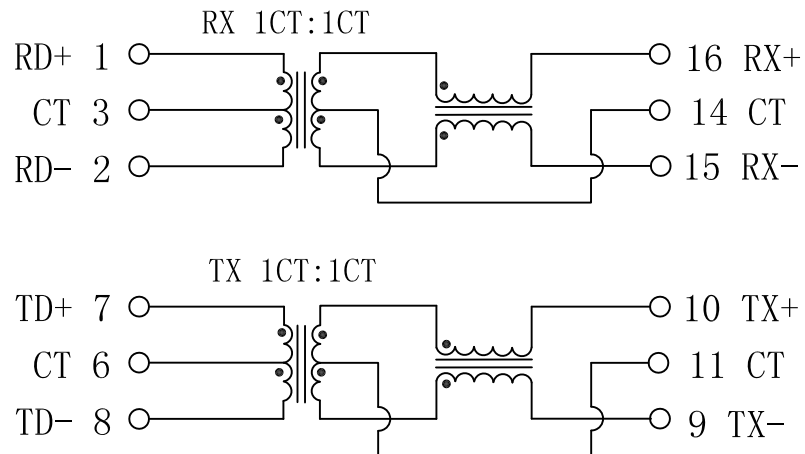


# Schematic:

REV.	ECN NO.	DESCRIPTION	DATE	APPD
A	REL		27/08/09	



## Electrical Specifications @25°C

### 1. Turns Ratio ( $\pm 5\%$ ):

TX=1CT:1CT      RX=1CT:1CT

### 2. OCL (100KHz/0.1V): 350uH MIN

### 3. Insertion Loss:

0.3-100MHz: -1.1dB MAX

### 4. Return Loss (dB TYP):

30MHz: -20      60MHz: -14

80MHz: -11.5

### 5. Crosstalk (dB TYP):

30MHz: -45      60MHz: -40

100MHz: -35

### 6. CMR (dB TYP):

30MHz: -42      50MHz: -37

100MHz: -33

### 7. Hipot: 1500Vrms/0.5mA/60Sec.

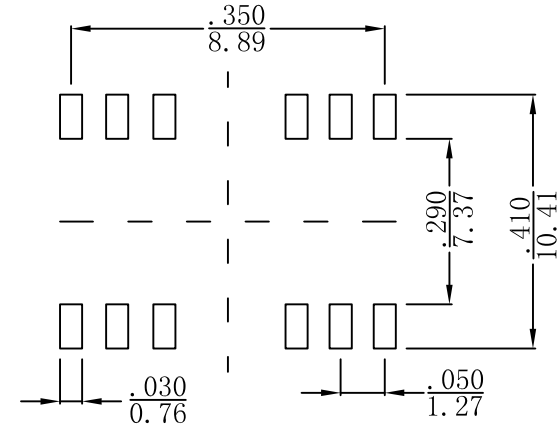
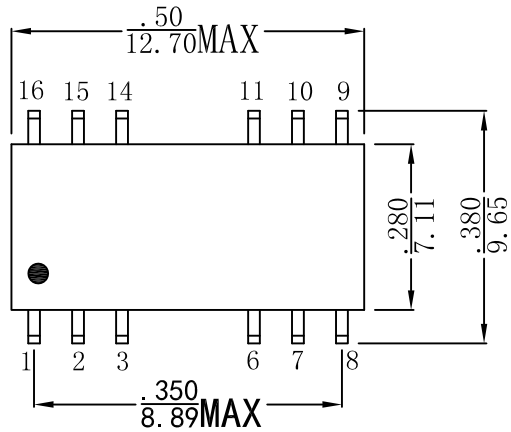
### 8. Operating Temperature: -40°C ~ +85°C



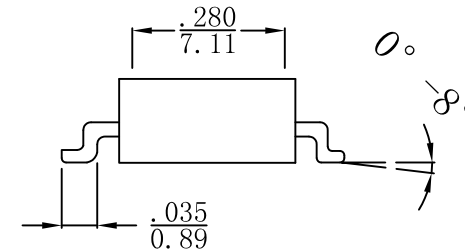
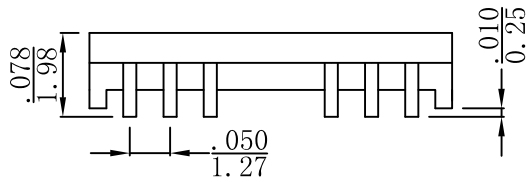
X:X	±0.20	APPD:	LINK-PP INT'L TECHNOLOGY CO., LIMITED	
X:XX	±0.10	CHKD:	TITLE: 10/100 Base PC Card Lan Magnetic Modules	
X:XXX	±0.05	DR: TOM	PART NO.: LP41606ANL	
ANGLES	±1°	UNIT: Inches/mm	REV: A      DWG NO.: LP09082723	
	SCALE: 2/1	SHEET: 2/2		

**Mechanical:**

REV.	ECN NO.	DESCRIPTION	DATE	APPD
A	REL		27/08/09	



SUGGESTED PAD LAYOUT



NOTES:

1. Designed to support application, such as SOHO (ADSL modems), LAN-on-Motherboard (LOM), hub and Switches.
2. With various Turns Ratios.
3. RoHS "NL" peak solder rating  $260 \pm 5^\circ\text{C}$ .

X:X	$\pm 0.20$	APPD:	LINK-PP INT'L TECHNOLOGY CO., LIMITED	
X:XX	$\pm 0.10$	CHKD:	TITLE: 10/100 Base PC Card Lan Magnetic Modules	
X:XXX	$\pm 0.05$	DR: TOM	PART NO.: LP41606ANL	
ANGLES	$\pm 1^\circ$	UNIT: Inches/mm	DWG NO.: LP09082723	
SCALE: 2/1		SHEET: 1/2		REV: A