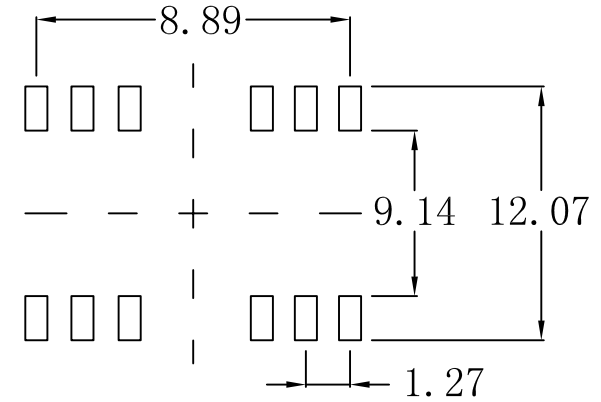
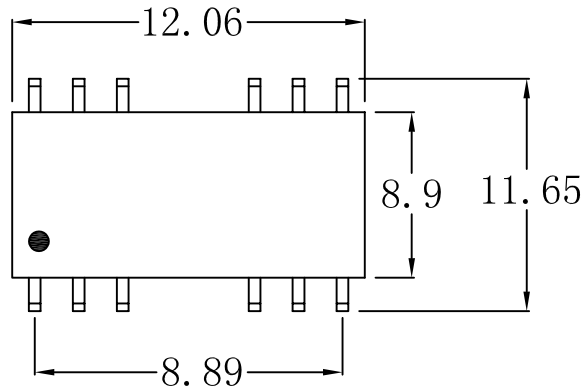
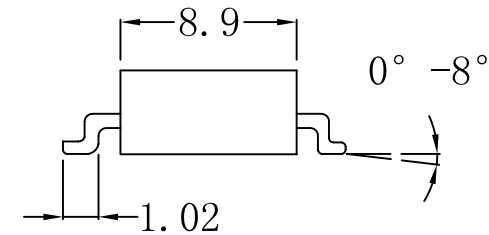
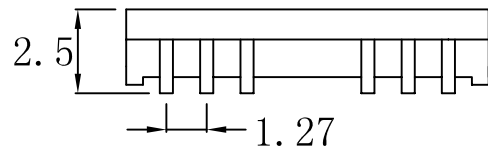


Mechanical:

REV.	ECN NO.	DESCRIPTION	DATE	APPD
A	REL		25/01/2010	



SUGGESTED PAD LAYOUT



NOTES:

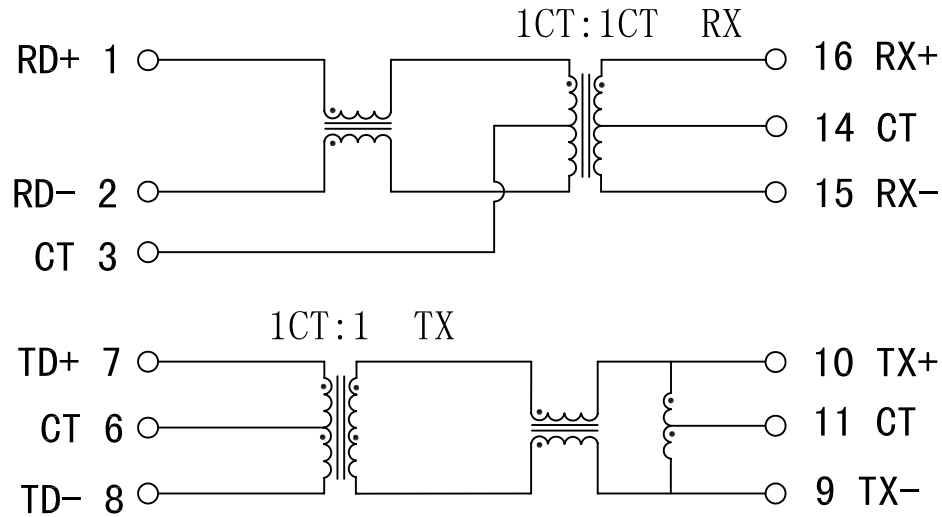
1. Low profile package
2. Isolation voltage: 1500Vrms
3. For RoHS part add suffix NL
4. RoHS NL peak solder rating 245°C



X:X	±0.20	APPD:	LINK-PP INT'L TECHNOLOGY CO., LIMITED
X:XX	±0.10	CHKD:	
X:XXX	±0.05	DR: TOM	
ANGLES	±1°	UNIT: mm	PART NO.: LP0023NL
	SCALE: 2/1	SHEET: 1/2	REV: A DWG NO.: LP10012502

Schematic:

REV.	ECN NO.	DESCRIPTION	DATE	APPD
A	REL		25/01/2010	



Electrical Specification @25°C

1. TURNS RATIO ($\pm 2\%$):
TX=1CT:1 RX=1CT:1CT
2. Inductance OCL: 350uH Min
@ 100KHz 0.1Vrms 8mA Bias
3. Polarity: 1-16, 7-10 In-Phase
4. HIPOT: 1500Vrms 1S 1mA
5. INSERTION LOSS:
-1.5dB MAX @ 1MHz TO 100MHz
6. RETURN LOSS:
-18dB MIN @ 1-30MHz
-14dB MIN @ 60MHz
-12dB MIN @ 80MHz
7. CROSS TALK:
-40dB MIN @ 30MHz
-35dB MIN @ 60MHz
-30dB MIN @ 100MHz
8. DCMR:
-40dB MIN @ 30MHz
-35dB MIN @ 50MHz
-30dB MIN @ 100MHz
9. OPERATING TEMPERATURE: 0~70°C.



X:X	± 0.20	APPD:	LINK-PP INT'L TECHNOLOGY CO., LIMITED
X:XX	± 0.10	CHKD:	
X:XXX	± 0.05	DR: TOM	
ANGLES	$\pm 1^\circ$	UNIT: mm	PART NO.: LP0023NL
	SCALE: 2/1	SHEET: 2/2	REV: A DWG NO.: LP10012502