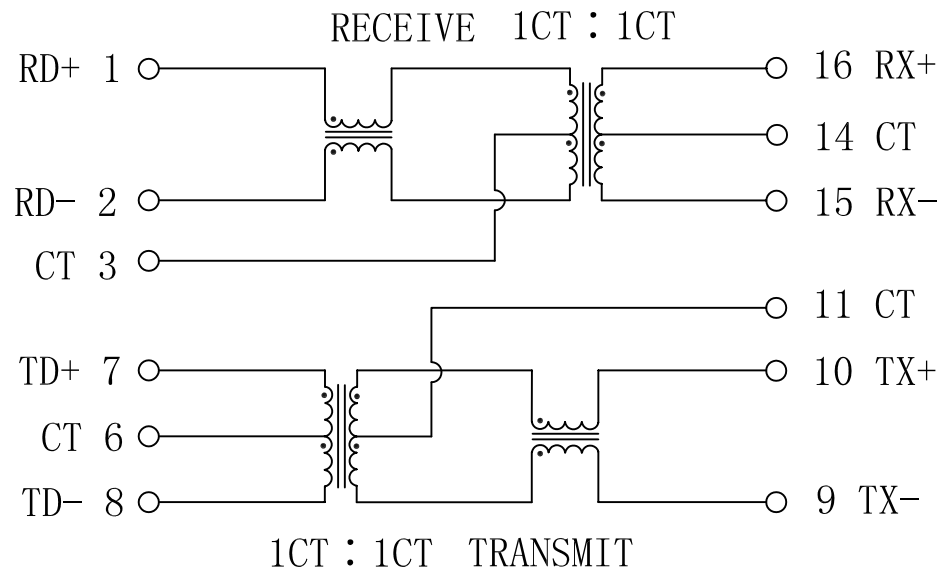


Schematic:

REV.	ECN NO.	DESCRIPTION	DATE	APPD
A	REL		11/08/2007	



Electrical Specification @25°C

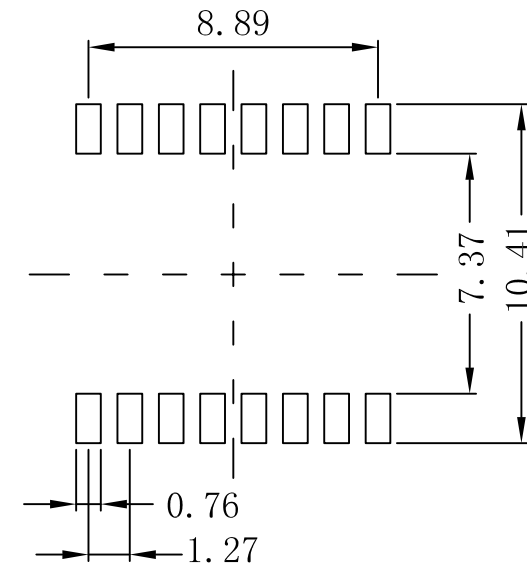
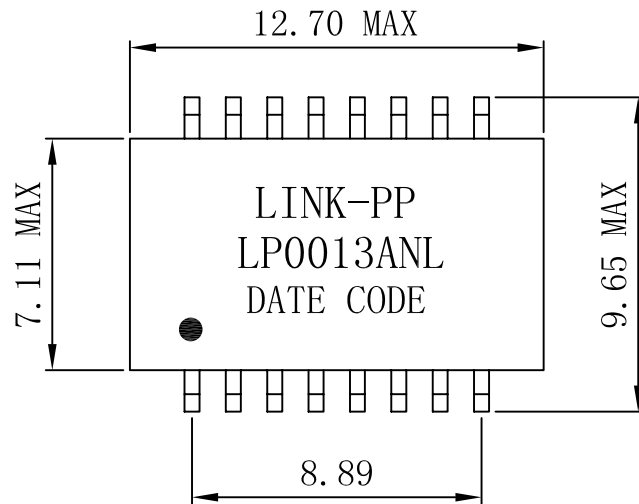
- Turns Ratio($\pm 2\%$):
TX=1CT : 1CT RX=1CT : 1CT
- Inductance OCL:
350uH Min @ 100KHz 0.1V
- Polarity: 1-16, 7-10 In-Phase
- Hipot: 1500VAC 1S 1mA
- Insertion Loss:
-0.9dB MAX @ 100KHz TO 100MHz
- Return Loss:
-16dB MIN @ 30MHz
-12dB MIN @ 60MHz
-11dB MIN @ 80MHz
- Crosstalk:
-50dB MIN @ 30MHz
-45dB MIN @ 62MHz
-37dB MIN @ 100MHz
- DCMR:
-35dB MIN @ 30MHz
-33dB MIN @ 50MHz
-20dB MIN @ 100MHz
- Operating Temperature: -40°C ~ +85°C.



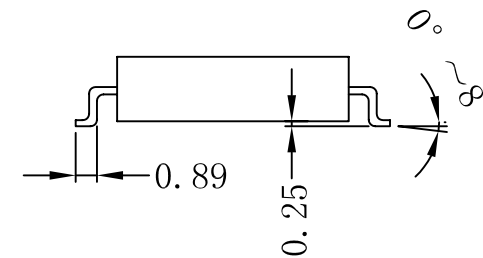
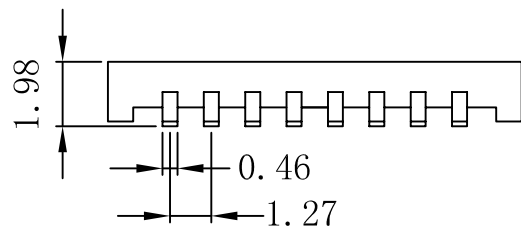
X:X	± 0.20	APPD:	LINK-PP INT'L TECHNOLOGY CO., LIMITED	
X:XX	± 0.10	CHKD:	TITLE: 10/100 Base PC Card Lan Magnetic Modules	
X:XXX	± 0.05	DR: TOM	PART NO.: LP0013ANL	
ANGLES	$\pm 1^\circ$	UNIT: mm		
	SCALE: 2/1	SHEET: 1/2	REV: A	DWG NO.:

Mechanical:

REV.	ECN NO.	DESCRIPTION	DATE	APPD
A	REL		11/08/2007	



SUGGESTED PAD LAYOUT



NOTES:

1. Low profile package
2. Isolation voltage: 1500Vrms
3. For RoHS part add suffix NL
4. RoHS "NL" peak solder rating $255 \pm 5^\circ\text{C}$.



X:X	± 0.20	APPD:	LINK-PP INT'L TECHNOLOGY CO., LIMITED
X:XX	± 0.10	CHKD:	
X:XXX	± 0.05	DR: TOM	TITLE: 10/100 Base PC Card Lan Magnetic Modules
ANGLES	$\pm 1^\circ$	UNIT: mm	PART NO.: LP0013ANL
	SCALE: 2/1	SHEET: 2/2	REV: A DWG NO.: