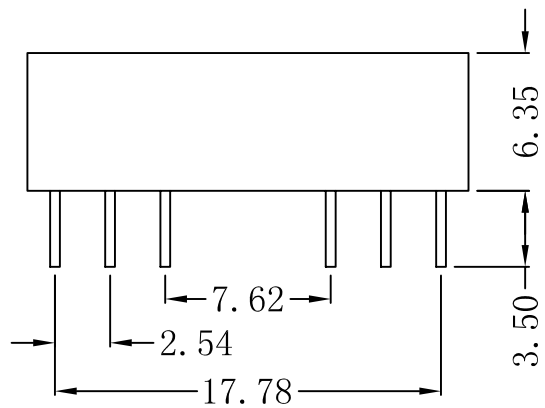
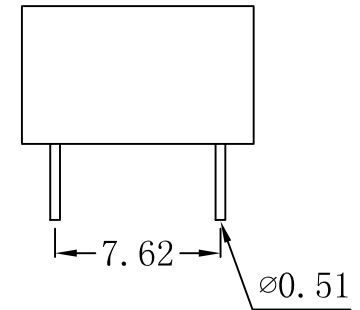
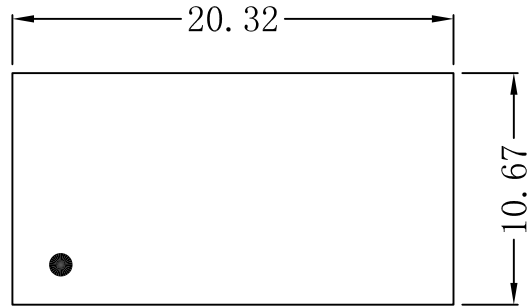


Mechanical:

REV.	ECN NO.	DESCRIPTION	DATE	APPD
A	REL		2010/08/25	



NOTES:

1. Designed to support application, such as SOHO (ADSL modems), LAN-on-Motherboard (LOM), hub and Switches.
2. With various Turns Ratios.
3. 350uH min OCL with 8mA bias current.
4. RoHS "NL" peak solder rating 245°C.

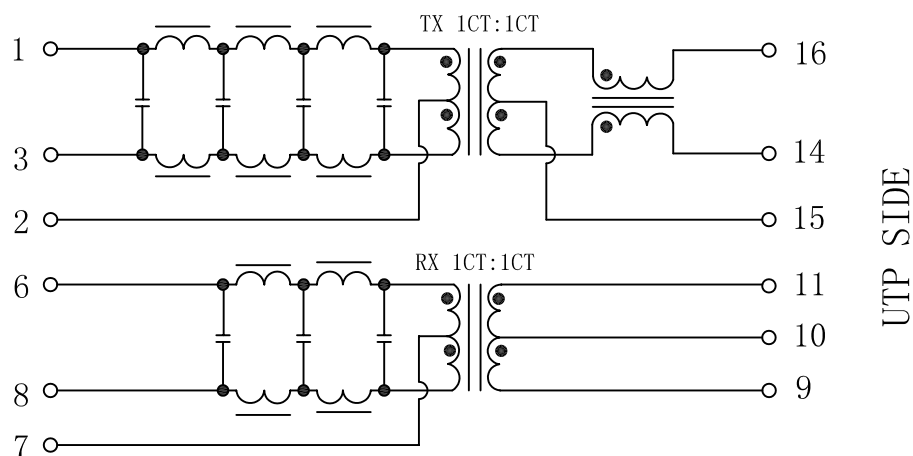


X:X	±0.20	APPD:	LINK-PP INT'L TECHNOLOGY CO., LIMITED	
X:XX	±0.10	CHKD:	<i>Title:</i> 10 Base-T Isolation Transformers	
X:XXX	±0.05	DR: TOM	PART NO.: LP85433NL	
ANGLES	±1°	UNIT: mm		
	SCALE: 2/1	SHEET: 1/2	REV: A	DWG NO.: LP10082505

Schematic:

REV.	ECN NO.	DESCRIPTION	DATE	APPD
A	REL		2010/08/25	

CHIP SIDE



Electrical Specifications @25°C

- Insertion Loss:
 - 1-10MHz:-1.0dB MAX
- Attenuation(dB MIN):
 - 30-50MHz (TX/RX) :-30/-15
 - 50-100MHz (TX/RX) :-35/-20
- Return Loss (@100Ω ± 15Ω) :
 - 1-10MHz:-15dB MIN
- Crosstalk:
 - 1-30MHz:-30dB MIN
- CMR:
 - 50MHz:-35dB MIN
 - 100MHz:-30dB MIN
- Isolation Voltage:1500V
- Operating Temperature:0~70°C



X:X	±0.20	APPD:	LINK-PP INT'L TECHNOLOGY CO., LIMITED	
X:XX	±0.10	CHKD:	<i>Title:</i> 10 Base-T Isolation Transformers	
X:XXX	±0.05	DR: TOM	PART NO. : LP85433NL	
ANGLES	±1°	UNIT: mm		
	SCALE: 2/1	SHEET: 2/2	REV: A	DWG NO. : LP10082505