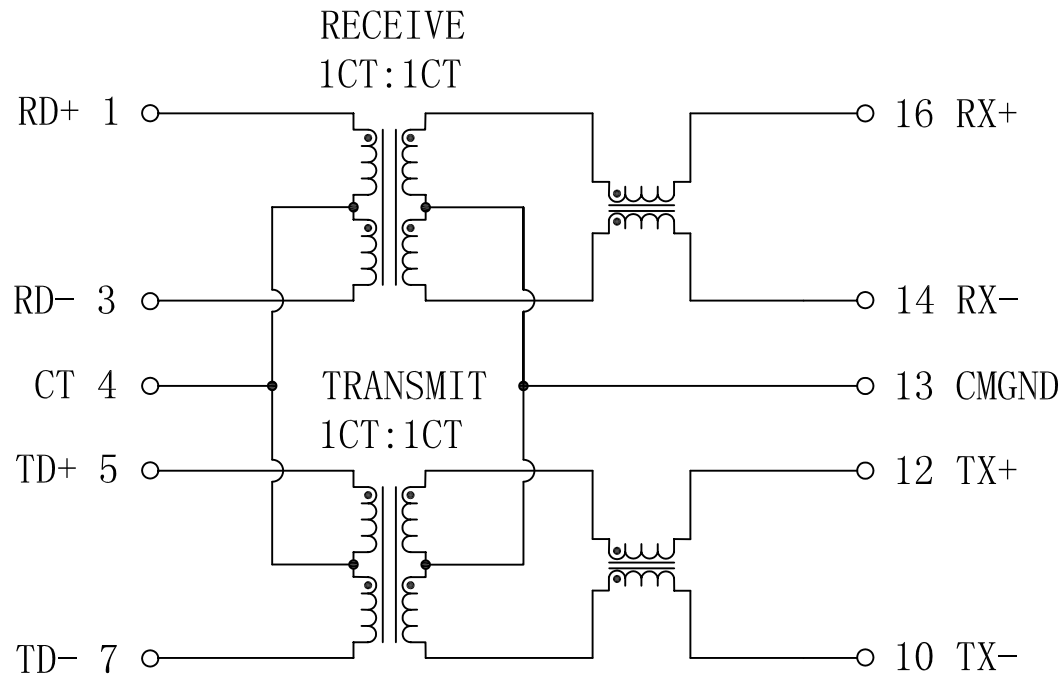


# Schematic:

REV.	ECN NO.	DESCRIPTION	DATE	APPD
A	REL		05/12/2008	



PIN 2, 6, 8, 9, 11, 15 CUT OFF

## Electrical Specifications @25°C

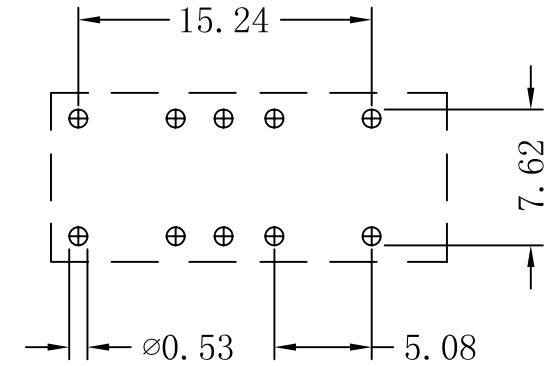
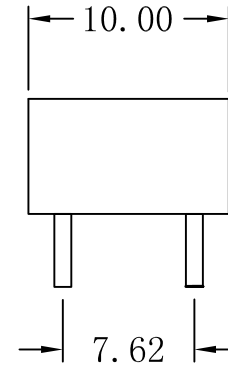
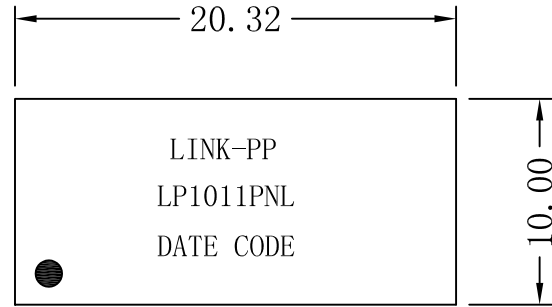
1. Rri Inductance:  
350uH MIN, AT 100KHz, 0.1V, 8mA
2. Leakage Inductance:  
0.6uH MAX, AT 100KHz, 0.1V
3. Interwinding CAP:  
50pF MAX, AT 100KHz, 0.1V
4. DCR: 0.9Ω MAX
5. Insertion Loss:  
0.3-100MHz:-1.1dB MAX
6. Return Loss(dB MIN):  
30MHz:-18; 40MHz:-15  
50MHz:-13; 60-80MHz:-11
7. Crosstalk:  
0.3-100MHz:-38dB MIN
8. DCMR:  
0.3-100MHz:-40dB MIN
9. Hi-Pot: 1500Vrms
10. Operating Temperature:0~70°C.



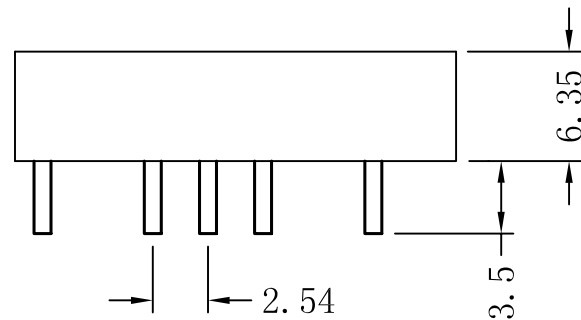
X:X	±0.20	APPD:	LINK-PP INT'L TECHNOLOGY CO., LIMITED	
X:XX	±0.10	CHKD:	TITLE: 10/100Base-T Single Port Transformer Modules	
X:XXX	±0.05	DR: TOM	PART NO.: LP1011PNL	
ANGLES	±1°	UNIT: mm		
	SCALE: 2/1	SHEET: 1/2	REV: A	DWG NO.: LP08120503

# Mechanical:

REV.	ECN NO.	DESCRIPTION	DATE	APPD
A	REL		05/12/2008	



SUGGESTED PCB LAYOUT (TOP VIEW)



## NOTES:

1. Designed to support application, such as SOHO (ADSL modems), LAN-on-Motherboard (LOM), hub and Switches.
2. With various Turns Ratios.
3. RoHS "NL" peak solder rating  $255 \pm 5^\circ\text{C}$ .



X:X	$\pm 0.20$	APPD:	LINK-PP INT'L TECHNOLOGY CO., LIMITED	
X:XX	$\pm 0.10$	CHKD:	TITLE: 10/100Base-T Single Port Transformer Modules	
X:XXX	$\pm 0.05$	DR: TOM	PART NO.: LP1011PNL	
ANGLES	$\pm 1^\circ$	UNIT: mm		
	SCALE: 2/1	SHEET: 2/2	REV: A	DWG NO.: LP08120503