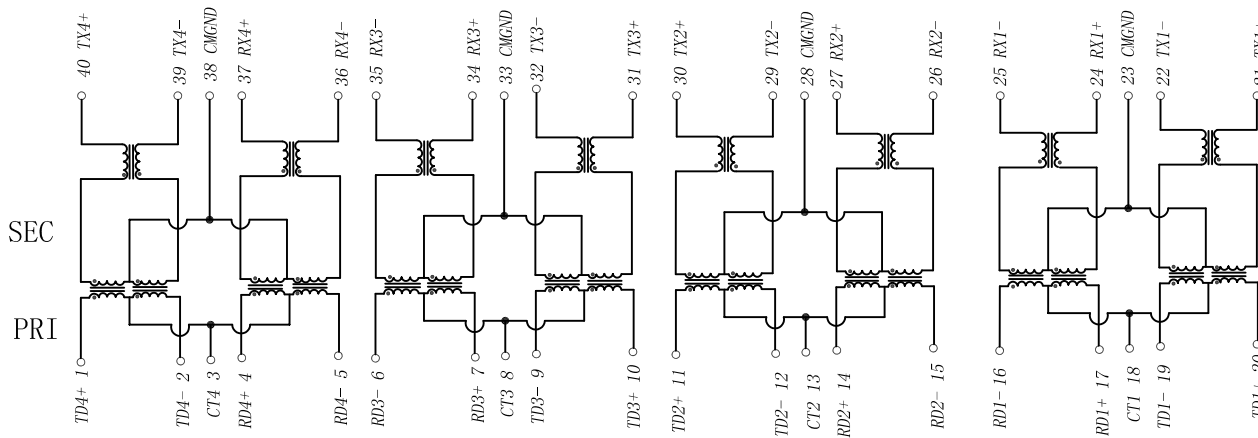


Schematic:

REV.	ECN NO.	DESCRIPTION	DATE	APPD
A	REL		18/12/2007	



Electrical Specifications @25°C

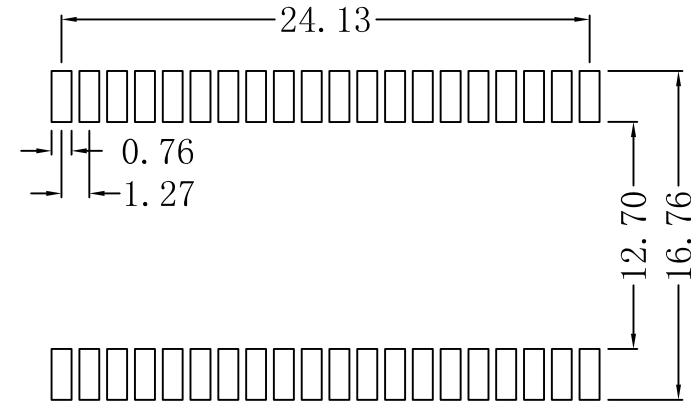
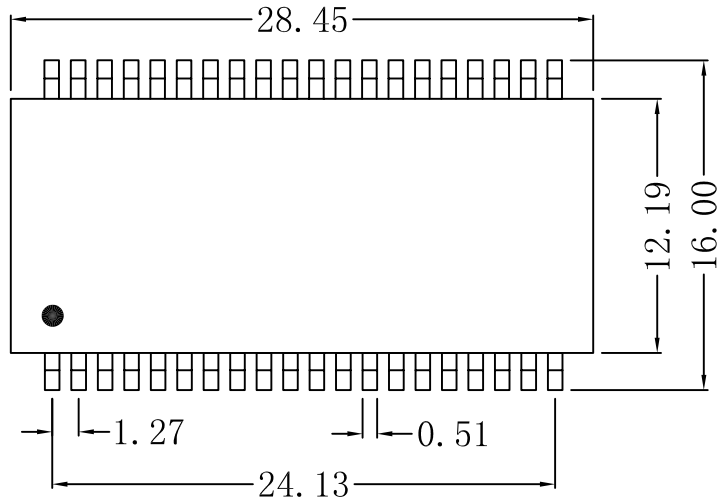
- Turns ratio(pri:sec):
1CT:1CT $\pm 2\%$
- Insertion Loss:
0.1-100MHz:-1.0dB MAX
- Return Loss(dB MIN):
2-30MHz:-18 40MHz:-14.4
50MHz:-13.1 60-80MHz:-12
- Crosstalk(dB MIN):
1MHz:-55 30MHz:-45
60MHz:-40 100MHz:-33
- DCMR(dB TYP):
1-60MHz:-37 60-200MHz:-25
- Hipot:1500Vrms
- Operating Temperature:0~70°C.



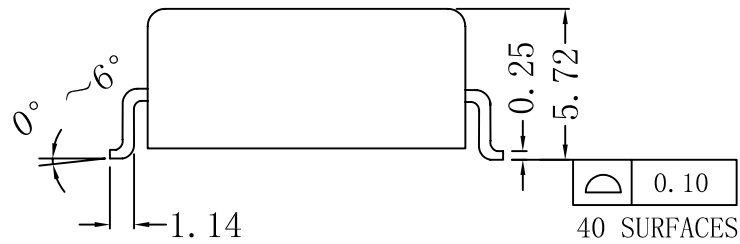
X:X	± 0.20	APPD:	LINK-PP INT'L TECHNOLOGY CO., LIMITED	
X:XX	± 0.10	CHKD:		
X:XXX	± 0.05	DR: TOM	Title: 10/100Base-TX Quad Port Transformer Modules	
ANGLES	$\pm 1^\circ$	UNIT: mm	PART NO.:	LP1164NL
	SCALE: 2/1	SHEET: 1/2	REV: A	DWG NO.:

Mechanical :

REV.	ECN NO.	DESCRIPTION	DATE	APPD
A	REL		18/12/2007	



SUGGESTED PAD LAYOUT



NOTES:

1. Designed to support application, such as SOHO (ADSL modems), LAN-on-Motherboard (LOM), hub and Switches.
2. With various Turns Ratios.
3. 350uH min OCL with 8mA bias current.
4. RoHS "NL" peak solder rating 245°C.



X:X	±0.20	APPD:	LINK-PP INT'L TECHNOLOGY CO., LIMITED	
X:XX	±0.10	CHKD:		
X:XXX	±0.05	DR: TOM	Title: 10/100Base-TX Quad Port Transformer Modules	
ANGLES	±1°	UNIT: mm	PART NO. :	LP1164NL
	SCALE: 2/1	SHEET: 2/2	REV: A	DWG NO. :