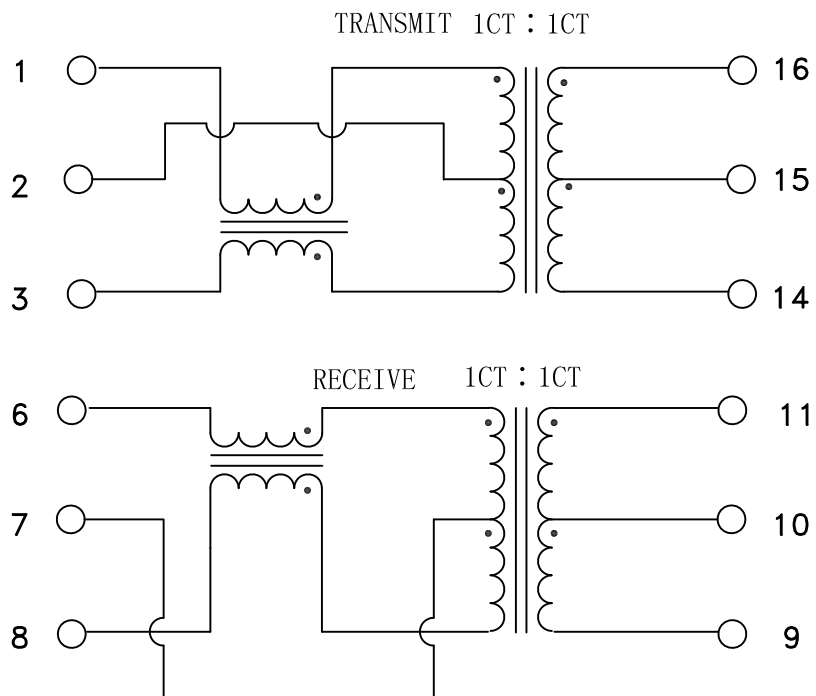


Schematic:

REV.	ECN NO.	DESCRIPTION	DATE	APPD
A	REL		23/06/2009	



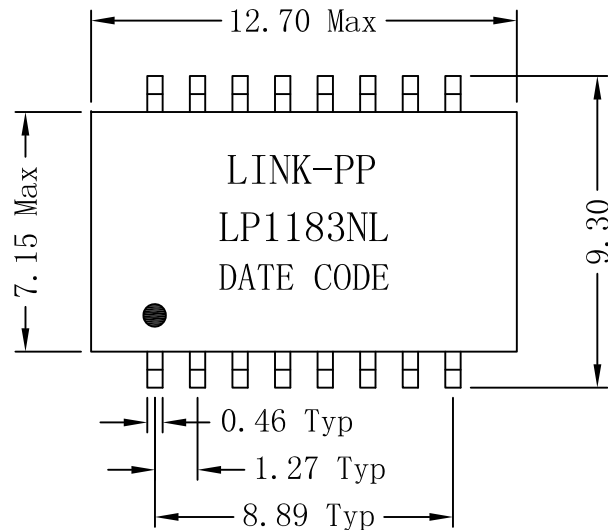
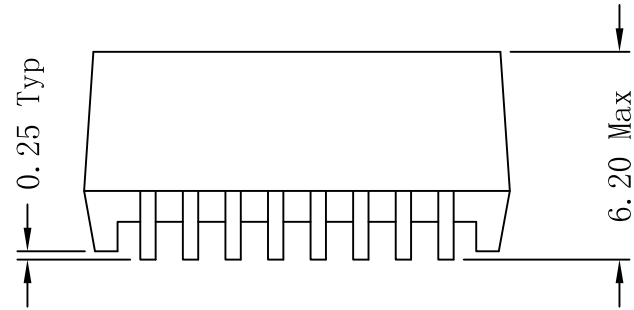
Electrical Specifications @25°C

- Turns Ratio:
TX=1:1 RX=1:1
- Insertion Loss:
0.1-100MHz:-1.0dB MAX
- Return Loss(dB TYP) :
30MHz:-18 60MHz:-14
80MHz:-12
- Crosstalk(dB TYP) :
30MHz:-35 60MHz:-35
100MHz:-35
- DCMR(dB TYP) :
30MHz:-40 50MHz:-40
100MHz:-40
- Isolation Voltage: 1500Vrms MIN
- Operating Temperature: 0°C ~ 70°C.



X:X	APPD:	LINK-PP INT'L TECHNOLOGY CO., LIMITED
X:XX	CHKD:	
X:XXX	DR: TOM	TITLE: 10/100Base-T Single Port Transformer Modules
ANGLES ±1°	UNIT: mm	PART NO.: LP1183NL
	SCALE: 2/1	SHEET: 1/2
	REV: A	DWG NO.:

Mechanical:

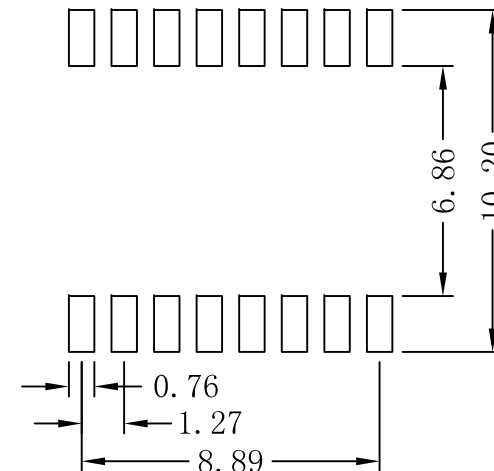
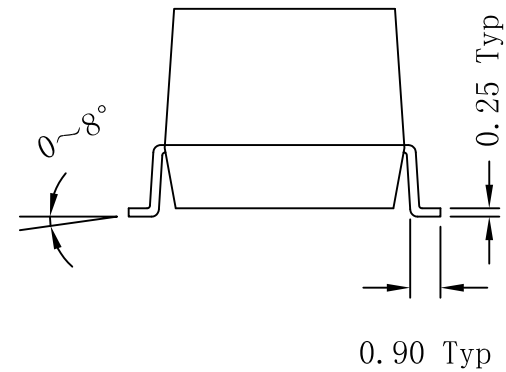


NOTES:

1. Designed to support application, such as SOHO (ADSL modems), LAN-on-Motherboard (LOM), hub and Switches.
2. With various Turns Ratios.
3. 350uH min OCL with 8mA bias .
4. RoHS "NL" peak solder rating $260 \pm 5^\circ\text{C}$.



REV.	ECN NO.	DESCRIPTION	DATE	APPD
A	REL		23/06/2009	



SUGGESTED PAD LAYOUT

Dimensions: mm

Unless otherwise specified, all tolerances are ± 0.25

X:X	APPD:	LINK-PP INT'L TECHNOLOGY CO., LIMITED		
X:XX	CHKD:	TITLE: 10/100Base-T Single Port Transformer Modules		
X:XXX	DR: TOM	PART NO.: LP1183NL		
ANGLES $\pm 1^\circ$	UNIT: mm			
	SCALE: 2/1	SHEET: 2/2	REV: A	DWG NO.: