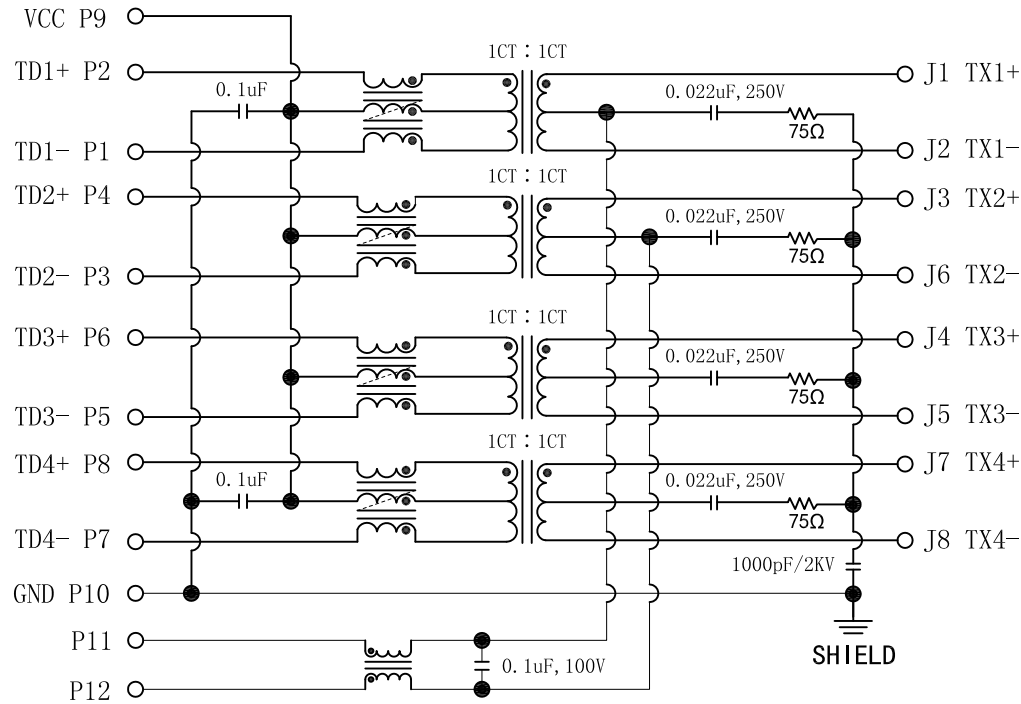


Schematic:

REV.	ECN NO.	DESCRIPTION	DATE	APPD
A	REL		2013/08/05	

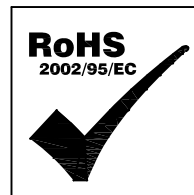
PC BOARD CONNECTIONS



RJ45 CONNECTOR

Electrical Specification @25°C

- Turns Ratio ($\pm 2\%$): 1CT : 1CT
- Inductance: 350uH Min
@0.1V, 0.1MHz, 8mA DC Bias
- Insertion Loss:
1-100MHz: -1.4dB TYP
- Return Loss (dB TYP. @100 $\Omega \pm 15 \Omega$):
1-40MHz: -18 60MHz: -14
100MHz: -10
- Crosstalk (dB Typ):
1-10MHz: -50 30-60MHz: -41
60-100MHz: -31
- Common Mode Rejection (dB Typ):
1-10MHz: -50 10-150MHz: -30
- Hipot: 2250Vdc MIN
- Operating Temperature: 0°C ~ +70°C.



X:X	± 0.20	APPD:	LINK-PP LINK-PP INT'L TECHNOLOGY CO., LIMITED
X:XX	± 0.10	CHKD:	
X:XXX	± 0.05	DR: TOM	TITLE: RJ45 .Transformer.1000 Base-T. 2x4 Port For PoE+ Application
ANGLES	$\pm 1^\circ$	UNIT: mm	PART NO.: LPJG47011CNL
	SCALE: 2/1	SHEET: 1/2	REV: A DWG NO.: LP13080511

