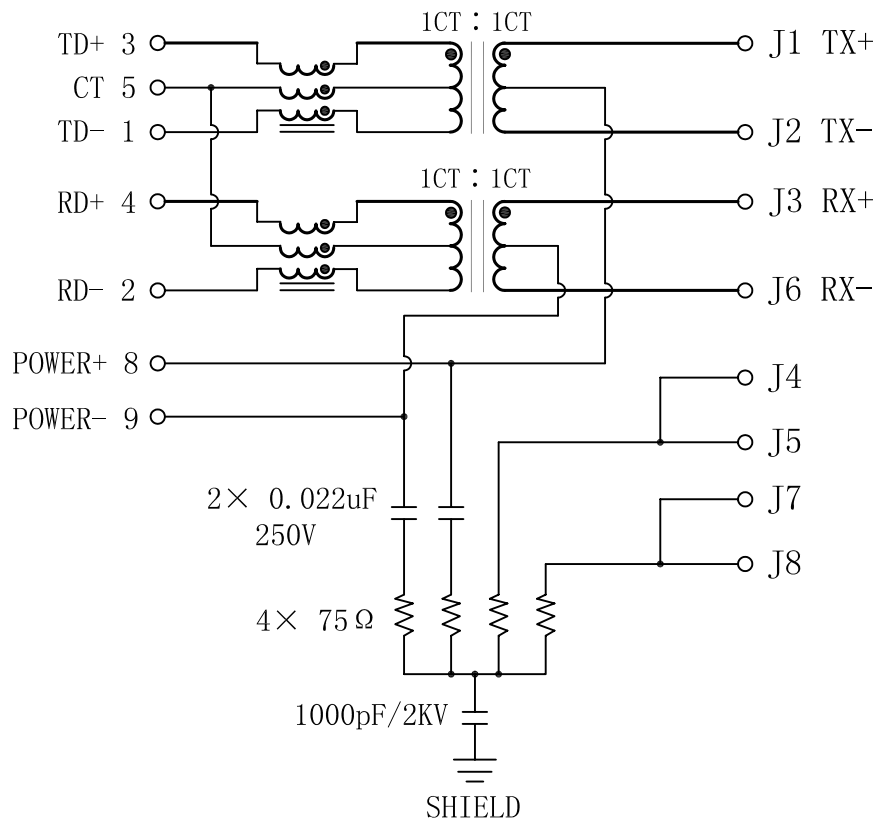


Schematic:

REV.	ECN NO.	DESCRIPTION	DATE	APPD
A	REL		2011/04/08	

PCB SIDE TO PHY



RJ45 SIDE

Electrical Specifications @25°C

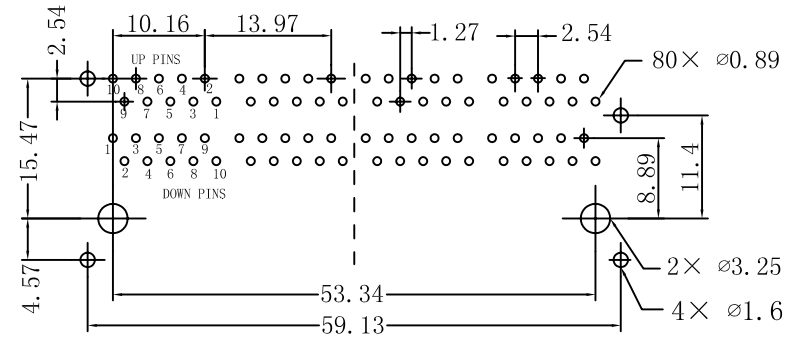
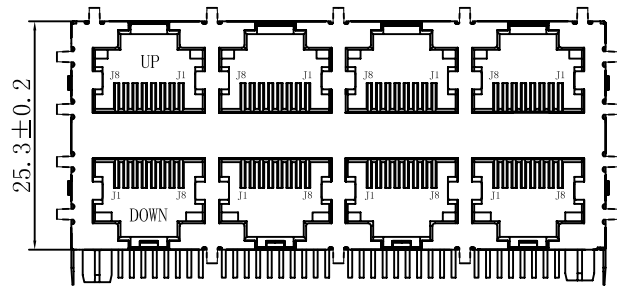
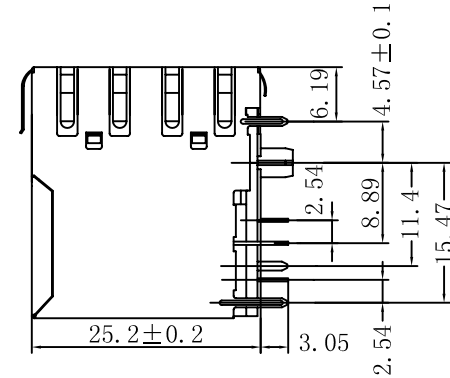
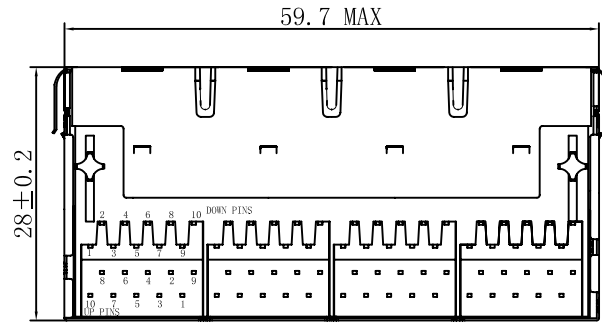
- Turns Ratio ($\pm 3\%$):
TX=1CT:1CT RX=1CT:1CT
- Inductance: 350uH MIN
@100KHz, 0.1V, 8mA DC BIAS
- Insertion Loss:
0.1-80MHz: -1.2dB MAX
- Return Loss (100 Ω):
1-30MHz: -18dB MIN
30-80MHz: -12dB MIN
- Crosstalk:
1-100MHz: -35dB TYP
- Common to Common Mode Attenuation:
30-100MHz: -30dB TYP
- Hipot: 1500Vrms
- Operating Temperature: -40°C ~ +85°C.



X:X	± 0.20	APPD:	LINK-PP INT'L TECHNOLOGY CO., LIMITED	
X:XX	± 0.10	CHKD:	TITLE: RJ45 10/100 Base-T Transformer 2x4 & PoE	
X:XXX	± 0.05	DR: TOM		
ANGLES	$\pm 1^\circ$	UNIT: mm	PART NO.: LPJ47018CNL	
	SCALE: 2/1	SHEET: 1/2	REV: A	DWG NO.: LP11040803

Mechanical:

REV.	ECN NO.	DESCRIPTION	DATE	APPD
A	REL		2011/04/08	



SUGGESTED PCB LAYOUT (TOP VIEW)

NOTES:

1. Designed to support application, such as SOHO (ADSL modems), LAN-on-Motherboard (LOM), hub and Switches.
2. Meets IEEE 802.3 specification
3. Connector Materials:
 Housing: Thermoplastic UL94V-0
 Contact/Shield: Copper alloy
 Shield plating: Nickel
 Contact plating: Gold 6 micro-inches min. In contact area.
4. Wave solder tip temperature: 265°C Max
 Wave solder tip temperature time: 5 Sec Max



X:X	±0.20	APPD:	LINK-PP INT'L TECHNOLOGY CO., LIMITED
X:XX	±0.10	CHKD:	
X:XXX	±0.05	DR: TOM	
ANGLES	±1°	UNIT: mm	TITLE: RJ45 10/100 Base-T Transformer 2×4 & PoE
			PART NO.: LPJ47018CNL
	SCALE: 2/1	SHEET: 2/2	REV: A DWG NO.: LP11040803