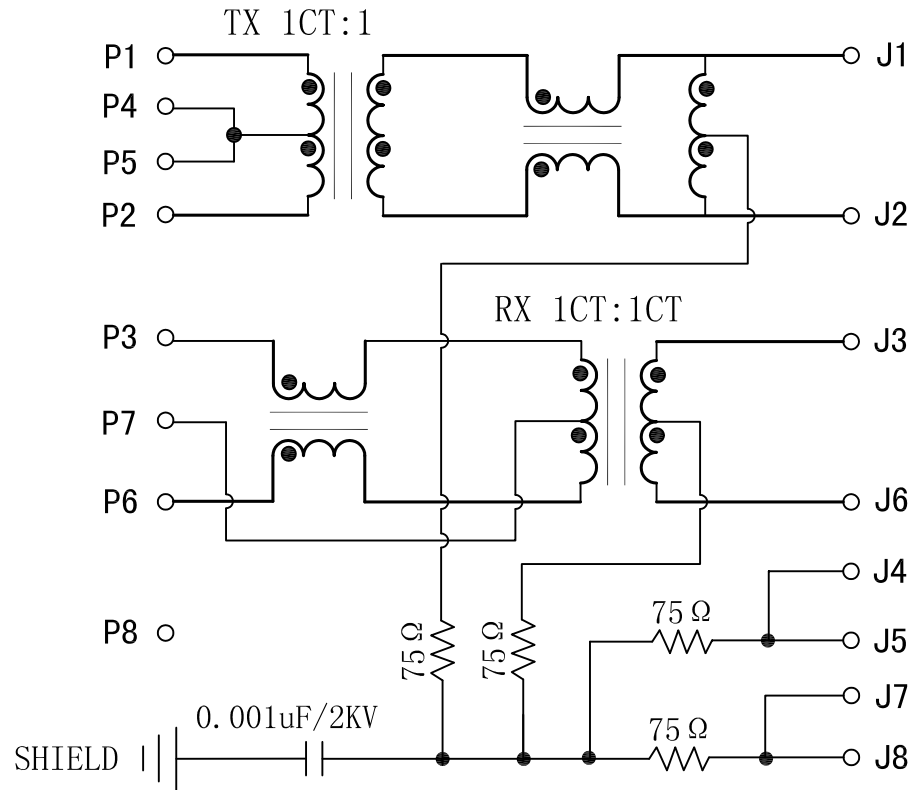


Schematic:

REV.	ECN NO.	DESCRIPTION	DATE	APPD
A	REL		11/09/2007	

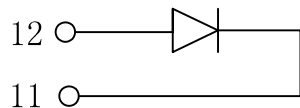


Electrical Specifications

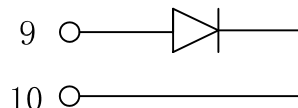
TEST NOTES (25±5°C)

- TR: (100KHz, 0.1V);
TX=1CT:1 ±2%
RX=1CT:1CT ±2%
- LX: (100KHz, 100mV, 8mA, DC Bias)
PINS: (P1, P2), (P3, P6)=350uH MIN
- HIPOT:
1500VAC FOR 60 SECONDS
- INSERTION LOSS:
-1.0dB MAX @ 1.0MHz TO 100MHz
- RETURN LOSS:
-18dB MIN @ 1MHz TO 30MHz
-16dB MIN @ 30MHz TO 60MHz
-12dB MIN @ 60MHz TO 80MHz
- CROSS TALK:
-40dB MIN @1MHz TO 10MHz
-35dB MIN @32MHz TO 60MHz
-30dB MIN @60MHz TO 100MHz
- COMMON TO COMMON MODE REJECTION:
-30dB MIN @1MHz TO 50MHz
-20dB MIN @50MHz TO 150MHz
- OPERATING TEMPERATURE: 0°C ~ 70°C.

GREEN/LEFT LED



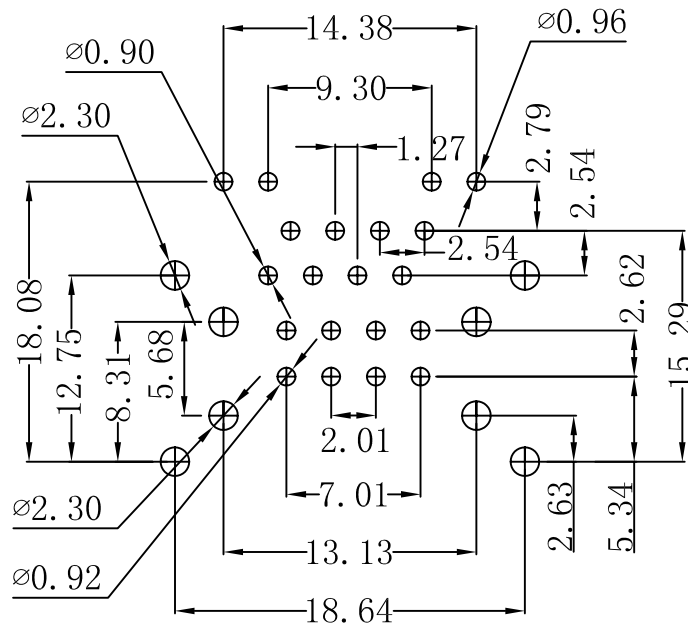
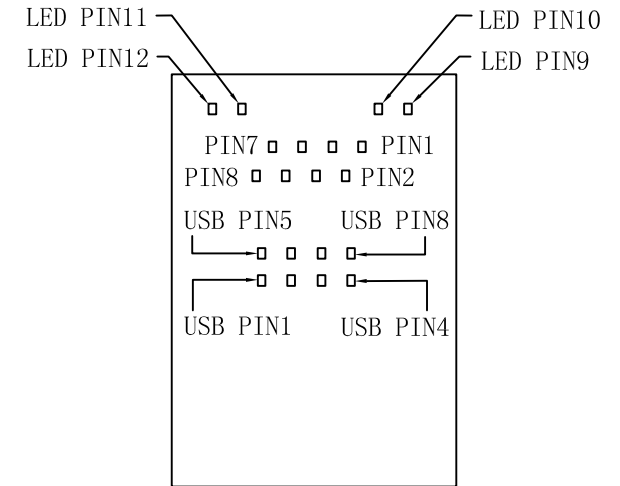
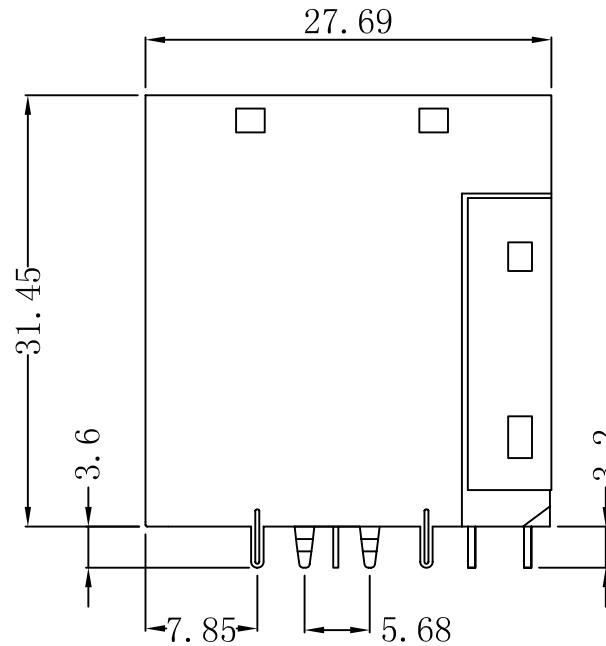
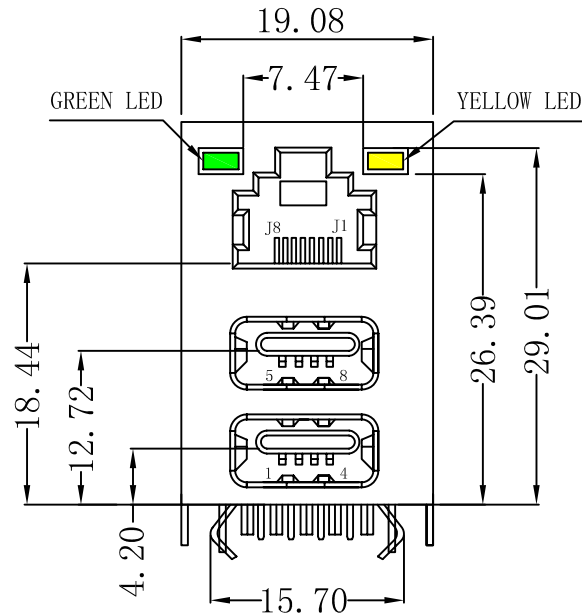
YELLOW/RIGHT LED



X:X	±0.25	APPD:	LINK-PP INT'L TECHNOLOGY CO., LIMITED	
X:XX	±0.20	CHKD:	TITLE: RJ45 10/100 Base-TX Jack/ Dual USB Combo	
X:XXX	±0.05	DR: TOM	PART NO.: LPJU5104BBNL	
ANGLES	±1°	UNIT: mm	DWG NO.: LP07091105	
	SCALE: 2/1	SHEET: 1/2	REV: A	

Mechanical:

REV.	ECN NO.	DESCRIPTION	DATE	APPD
A	REL		11/09/2007	



SUGGESTED PCB LAYOUT (TOP VIEW)



NOTES:

1. Designed to support application, such as SOHO (ADSL modems), LAN-on-Motherboard (LOM), hub and Switches.
2. Meets IEEE 802.3 specification
3. Connector Materials:
Housing: Thermoplastic UL94V-0
Contact/Shield: Copper alloy
Shield plating: Nickel
RJ-45 Contact plating: Gold 6 micro-inches min. In contact area
USB Contact plating: Gold Flash.
4. Wave peak temperature: 260°C, 5Sec.

X:X	±0.25	APPD:	LINK-PP INT'L TECHNOLOGY CO., LIMITED
X:XX	±0.20	CHKD:	
X:XXX	±0.05	DR: TOM	TITLE: RJ45 10/100 Base-TX Jack/ Dual USB Combo
ANGLES	±1°	UNIT: mm	PART NO.: LPJU5104BBNL
	SCALE: 2/1	SHEET: 2/2	REV: A DWG NO.: LP07091105