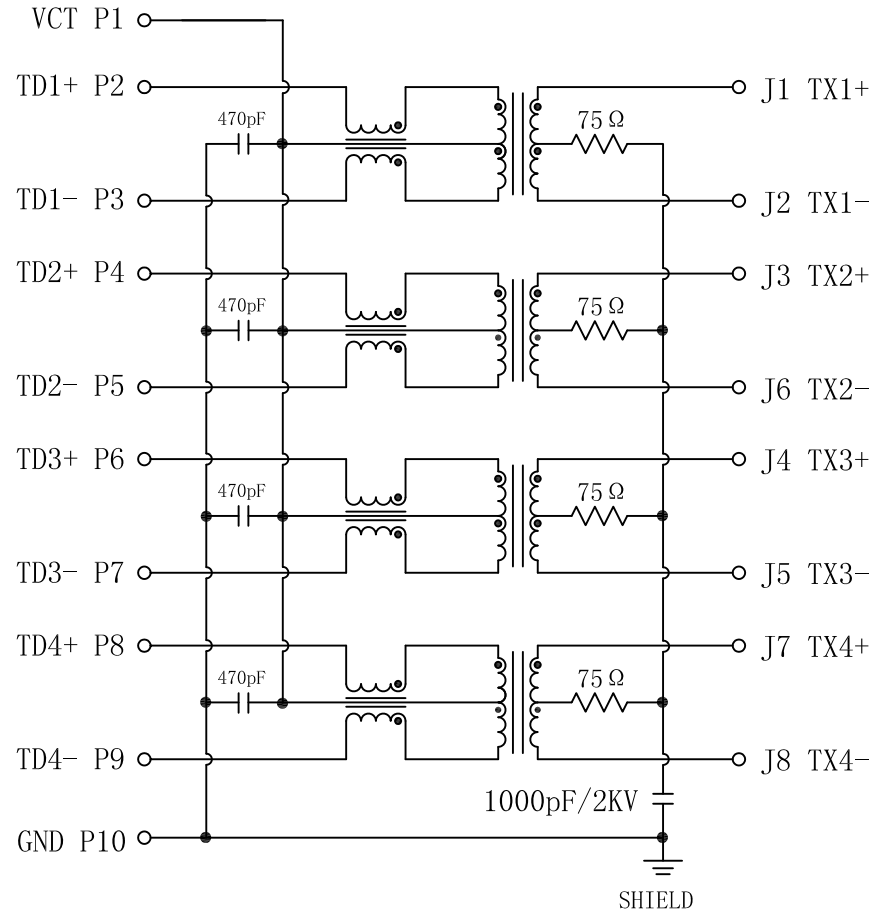


Schematic:

REV.	ECN NO.	DESCRIPTION	DATE	APPD
A	REL		2014/04/04	

PCB CONNECTIONS



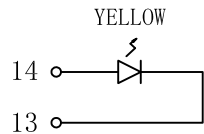
RJ45 CONNECTOR

Electrical Specifications @25°C

1. TURNS RATIO: 1CT : 1CT $\pm 3\%$
2. OCL: 350uH MIN
@100KHz, 100mV, 8mA, DC Bias
3. HIPOT: 1500Vrms
4. INSERTION LOSS:
-1.2dB MAX @1MHz TO 100MHz
5. RETURN LOSS:
-16dB MIN @1MHz TO 40MHz
-10+20log(f/80)dB MIN @40MHz TO 100MHz
6. CROSS TALK:
-30dB MIN @1MHz TO 100MHz
7. CMRR:
-30dB MIN @1MHz TO 100MHz
8. OPERATING TEMPERATURE: -40°C TO +85°C.

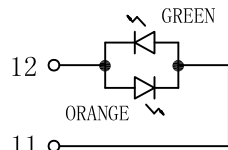
LED CONFIGURATION

Standard LED	Wavelength(λ)	V / IF=20mA	
		max.	typ.
Yellow	589nm	2.5V	2.1V
Orange	604nm	2.5V	2.1V
Green	565nm	2.5V	2.1V



LEFT LED

LED POLARITY		COLOR
PIN 14	PIN 13	
+	-	YELLOW



RIGHT LED

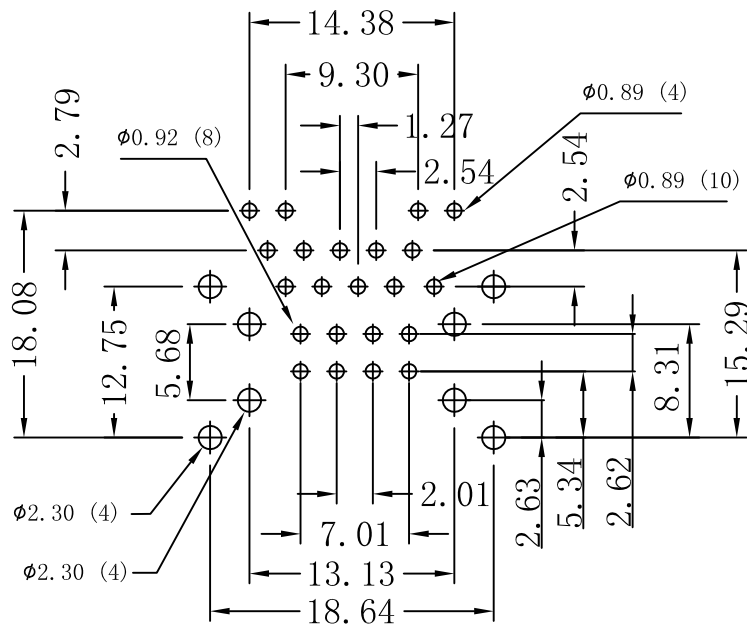
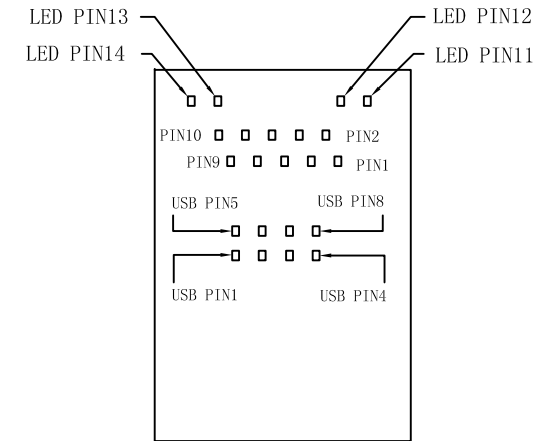
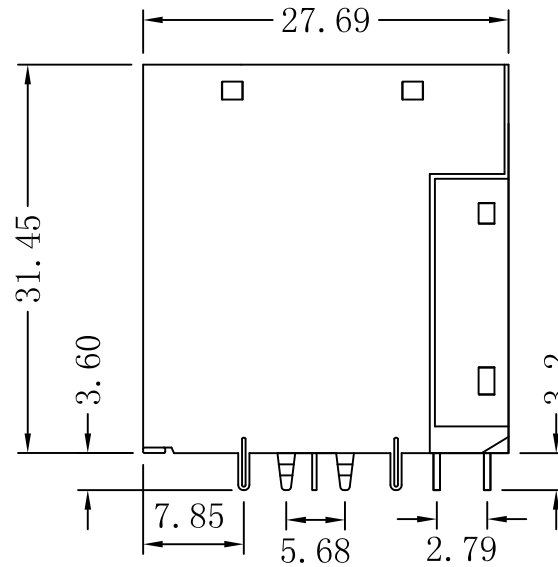
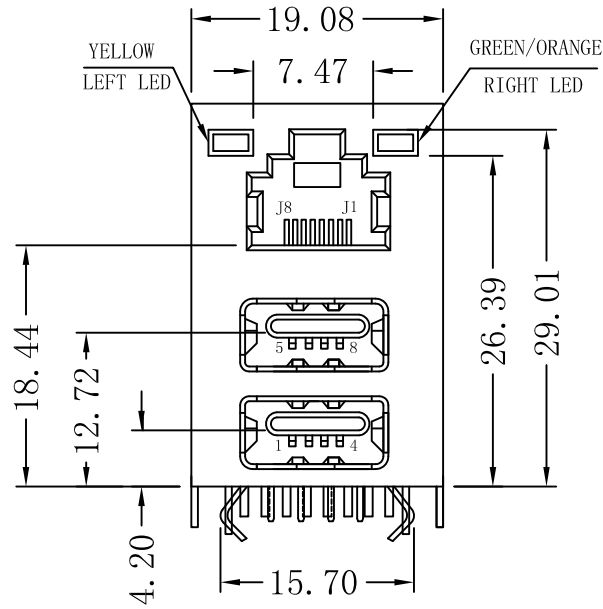
LED POLARITY		COLOR
PIN 11	PIN 12	
+	-	GREEN
-	+	ORANGE



X:X	± 0.30	APPD:	LINK-PP LINK-PP INT'L TECHNOLOGY CO., LIMITED
X:XX	± 0.20	CHKD:	
X:XXX	± 0.10	DR: TOM	TITLE: RJ45 10/100/1000BASE-TX JACK/ Dual USB Combo
ANGLES	$\pm 1^\circ$	UNIT: mm	PART NO.: LPJU5695B81NL
	SCALE: 2/1	SHEET: 1/2	REV: A
		DWG NO.: LP14040401	

Mechanical :

REV.	ECN NO.	DESCRIPTION	DATE	APPD
A	REL		2014/04/04	



SUGGESTED PCB LAYOUT (TOP VIEW)



NOTES:

1. Designed to support application, such as SOHO (ADSL modems), LAN-on-Motherboard (LOM), hub and Switches.
2. Meets IEEE 802.3 specification
3. Connector Materials:
Housing: Thermoplastic UL94V-0
Contact/Shield: Copper alloy
Shield plating: Nickel
Contact plating: Gold 6 micro-inches min. In contact area.
USB Contact plating: Gold flash.
4. Wave solder tip temperature: 265°C Max
Wave solder tip temperature time: 5 Sec Max

X:X	±0.30	APPD:	LINK-PP LINK-PP INT'L TECHNOLOGY CO., LIMITED
X:XX	±0.20	CHKD:	
X:XXX	±0.10	DR: TOM	TITLE: RJ45 10/100/1000BASE-TX JACK/ Dual USB Combo
ANGLES	±1°	UNIT: mm	PART NO.: LPJU5695B81NL
	SCALE: 2/1	SHEET: 2/2	REV: A DWG NO.: LP14040401