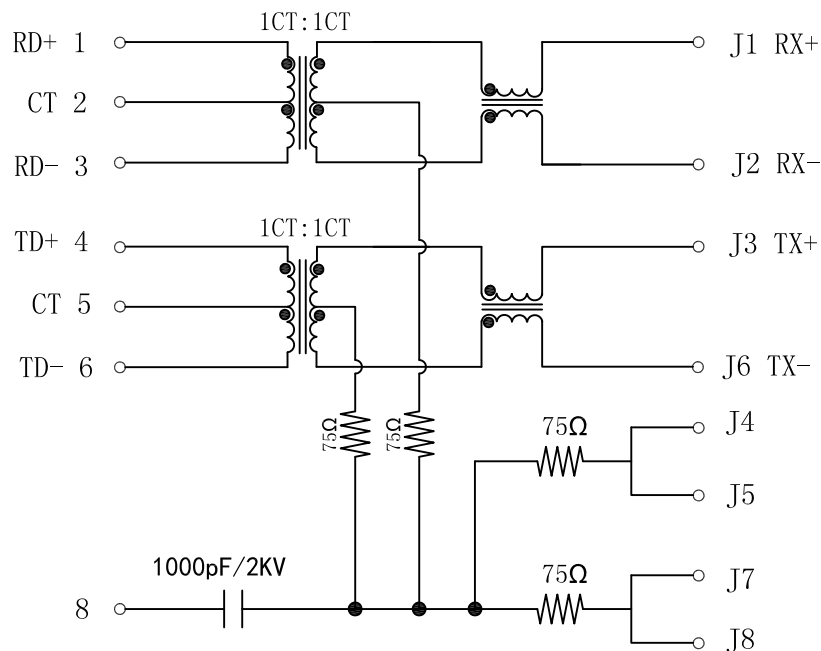


Schematic:

REV.	ECN NO.	DESCRIPTION	DATE	APPD
A	REL		2014/04/08	

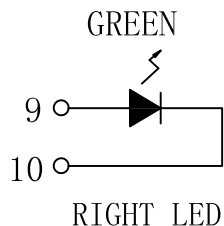
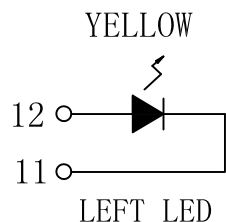
PC BOARD CONNECTIONS



RJ45 CONNECTOR

Electrical Specifications @25°C

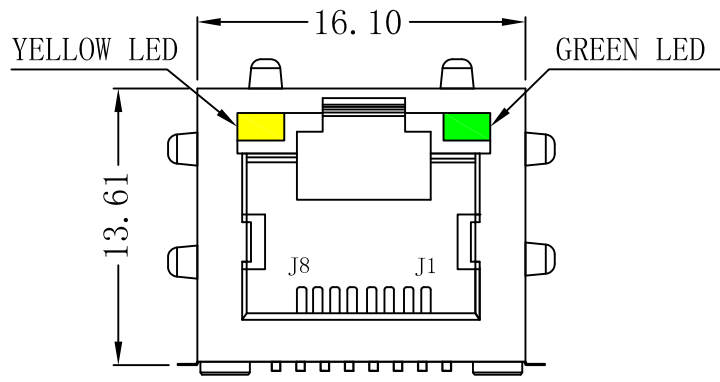
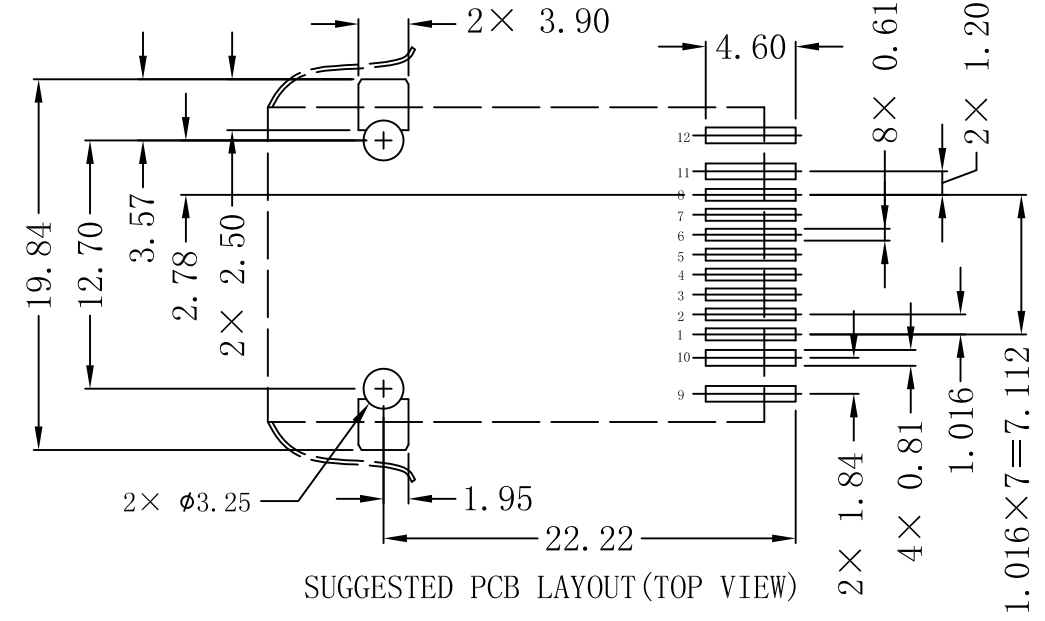
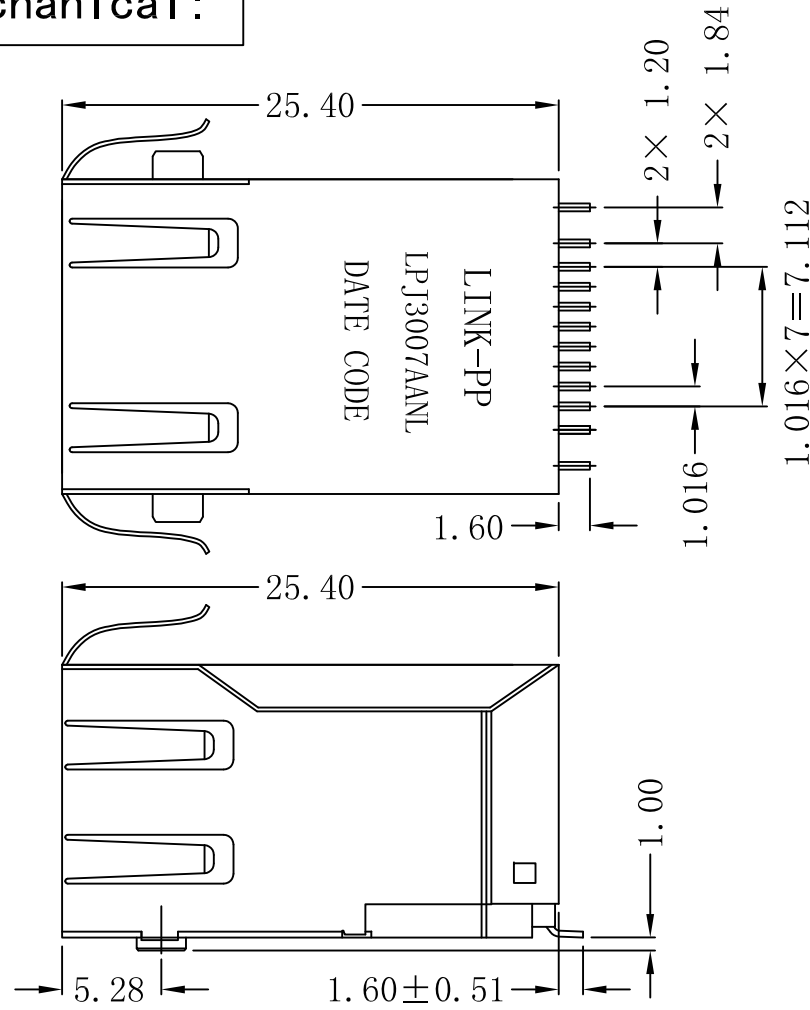
- Turns Ratio (@100KHz/100mV) :
TX=1CT:1CT RX=1CT:1CT
- OCL: 350uH Min
@100KHz, 0.1Vrms, 8mA
- Insertion Loss:
1-100MHz:-1.0dB Max
- Return Loss(dB Min @100 Ω):
1-30MHz:-18 30-60MHz:-16
60-80MHz:-12
- Crosstalk(dB Min):
1-10MHz:-40 30-60MHz:-35
60-100MHz:-30
- Common Mode Rejection(dB Min):
1-50MHz:-30 50-130MHz:-20
- Isolation Voltage: 1500Vrms Min
- Operating Temperature: -40°C ~ +85°C.



X:X	±0.20	APPD:	LINK-PP INT'L TECHNOLOGY CO., LIMITED
X:XX	±0.10	CHKD:	
X:XXX	±0.05	DR: TOM	TITLE: Surface Mount 1×1 Tab-Up Jack With 10/100 Magnetic SMT
ANGLES	±1°	UNIT: mm	PART NO.: LPJ3007AANL
	SCALE: 2/1	SHEET: 1/2	REV: A DWG NO.: LP14040801

Mechanical :

REV.	ECN NO.	DESCRIPTION	DATE	APPD
A	REL		2014/04/08	



NOTES :

1. Designed to support application, such as SOHO (ADSL modems), LAN-on-Motherboard (LOM), hub and Switches.
2. Meets IEEE 802.3 specification
3. Connector Materials:
 Housing: Thermoplastic UL94V-0
 Contact/Shield: Copper alloy
 Shield plating: Nickel
 Contact plating: Gold 6 micro-inches min. In contact area.
4. Wave solder tip temperature: 265°C Max
 Wave solder tip temperature time: 5 Sec Max



X:X	±0.20	APPD:	LINK-PP INT'L TECHNOLOGY CO., LIMITED
X:XX	±0.10	CHKD:	
X:XXX	±0.05	DR: TOM	TITLE: Surface Mount 1x1 Tab-Up Jack With 10/100 Magnetic SMT
ANGLES	±1°	UNIT: mm	PART NO.: LPJ3007AANL
	SCALE: 2/1	SHEET: 2/2	REV: A DWG NO.: LP14040801