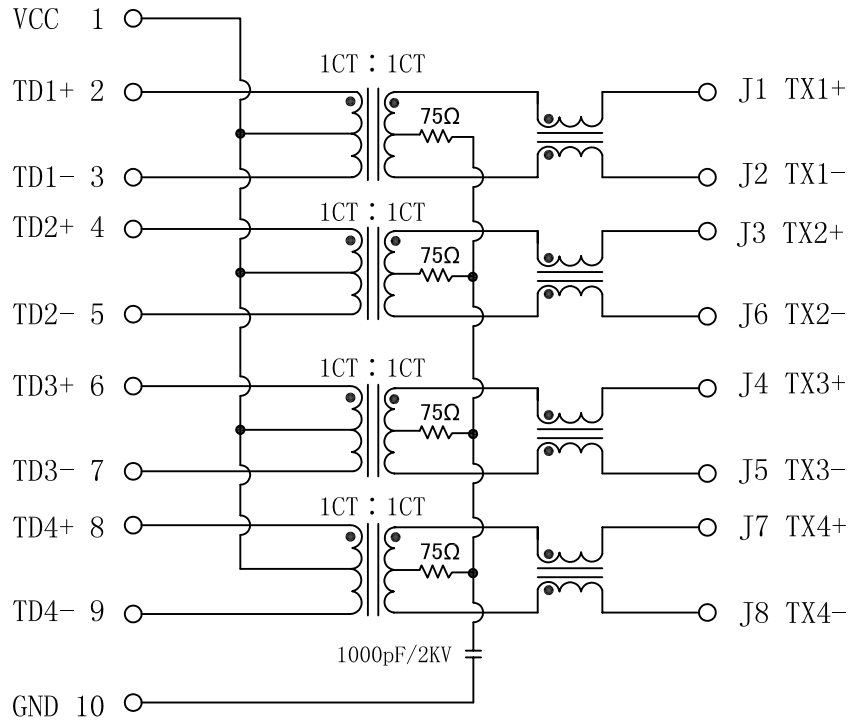


Schematic:

REV.	ECN NO.	DESCRIPTION	DATE	APPD
A	REL		2012/10/30	

PC BOARD CONNECTIONS



RJ45 CONNECTOR

ELECTRICAL SPECIFICATIONS @25°C

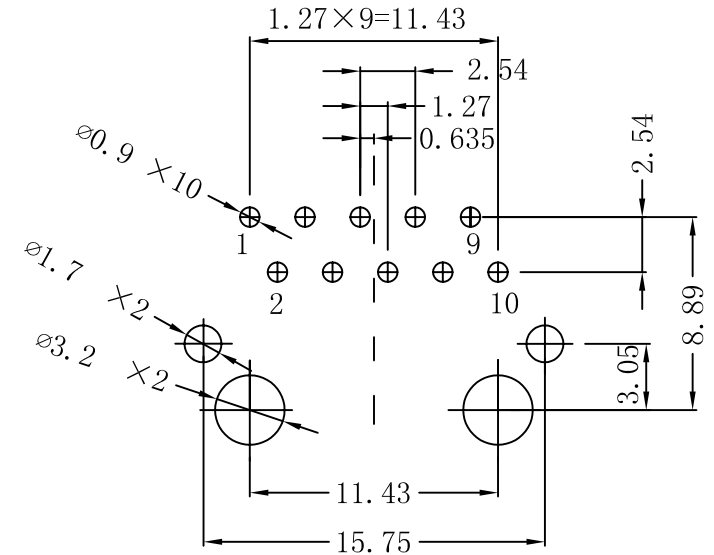
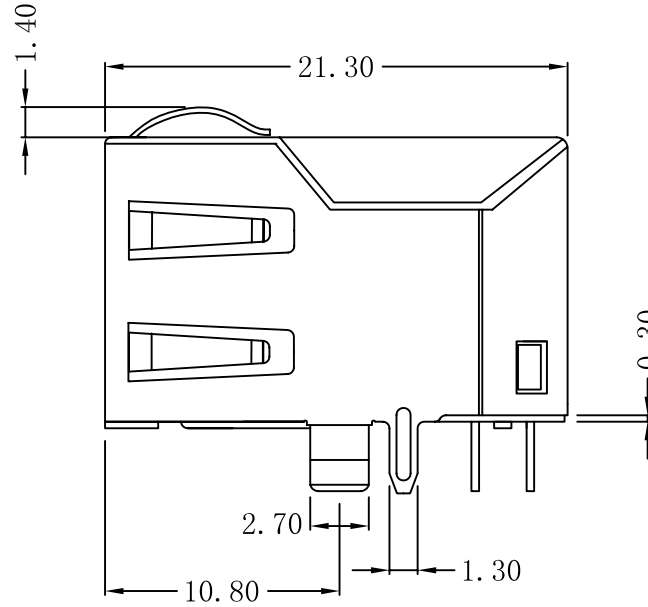
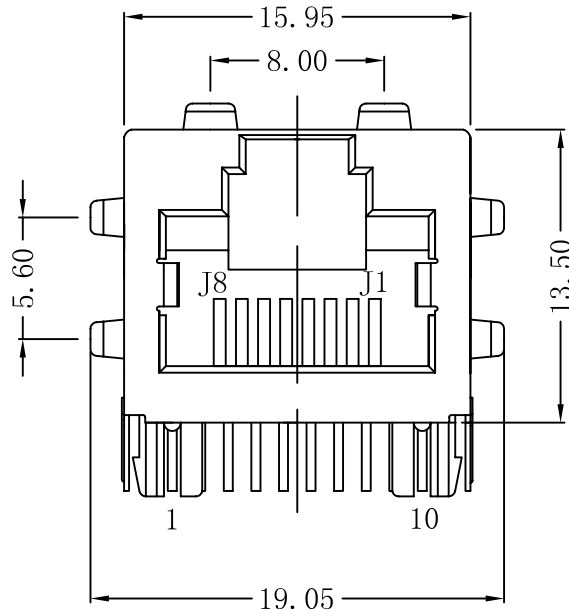
- Turn Ratio($\pm 2\%$):
1CT:1CT
- Inductance OCL: 350uH Min
@100KHz, 0.1V, 8mA DC Bias
- Insertion Loss:
-0.8dB Max @ 0.3-100MHz
-1.2dB Max @ 100-120MHz
- Return Loss:
-18dB Min @ 0.5-40MHz
-[12-20Log(f/80MHz)]dB Min @ 40-100MHz
- Cross talk:
-[33-20Log(f/100MHz)]dB Min @ 0.1-100MHz
- Common To Differential Mode Rejection:
-35dB Min @ 0.3-100MHz
- Common To Common Mode Rejection:
-30dB Min @ 0.3-100MHz
- Hipot Test: 1500VAC FOR 60 SECONDS
- Operating Temperature : 0°C TO 70°C



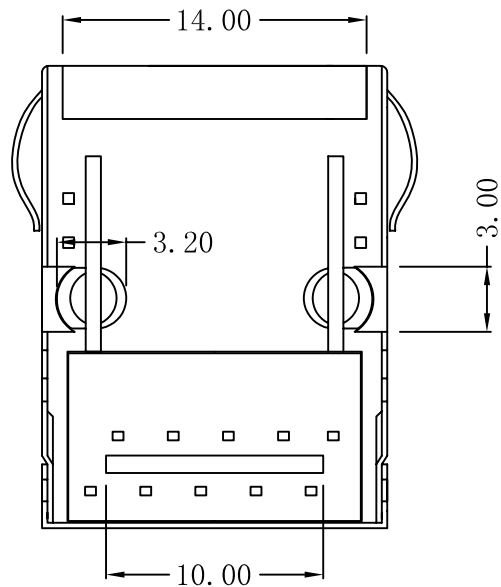
X:X	± 0.20	APPD:	LINK-PP INT'L TECHNOLOGY CO., LIMITED	
X:XX	± 0.10	CHKD:	TITLE: RJ45 Connector With 1000 Base-TX Integrated Magnetic	
X:XXX	± 0.05	DR: TOM	PART NO.: LPJG16520CNL	
ANGLES	$\pm 1^\circ$	UNIT: mm		
	SCALE: 2/1	SHEET: 1/2	REV: A	DWG NO.: LP12103013

Mechanical:

REV.	ECN NO.	DESCRIPTION	DATE	APPD
A	REL		2012/10/30	



Suggested PCB Layout (Top View)



NOTES:

1. Designed to support application, such as SOHO (ADSL modems), LAN-on-Motherboard (LOM), hub and Switches.
2. Meets IEEE 802.3 specification
3. Connector Materials:
 Housing: Thermoplastic UL94V-0
 Contact/Shield: Copper alloy
 Shield plating: Nickel
 Contact plating: Gold 6 micro-inches min. In contact area.
4. Wave solder tip temperature: 265°C Max
 Wave solder tip temperature time: 5 Sec Max



X:X	±0.20	APPD:	LINK-PP INT'L TECHNOLOGY CO., LIMITED	
X:XX	±0.10	CHKD:	TITLE: RJ45 Connector With 1000 Base-TX Integrated Magnetic	
X:XXX	±0.05	DR: TOM	PART NO.: LPJG16520CNL	
ANGLES	±1°	UNIT: mm		
	SCALE: 2/1	SHEET: 2/2	REV: A	DWG NO.: LP12103013