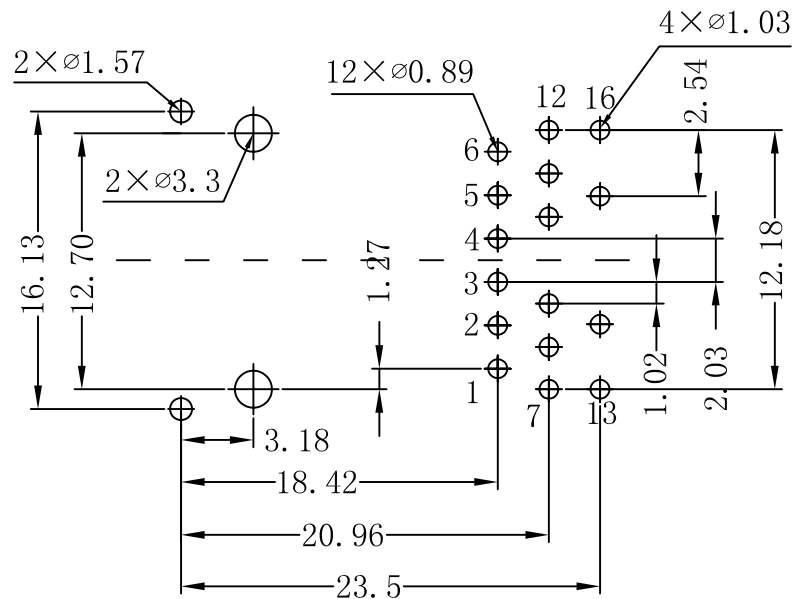
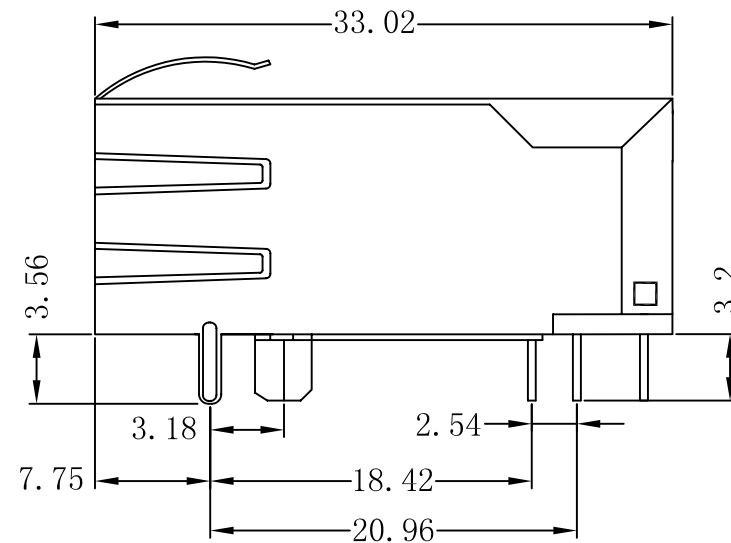
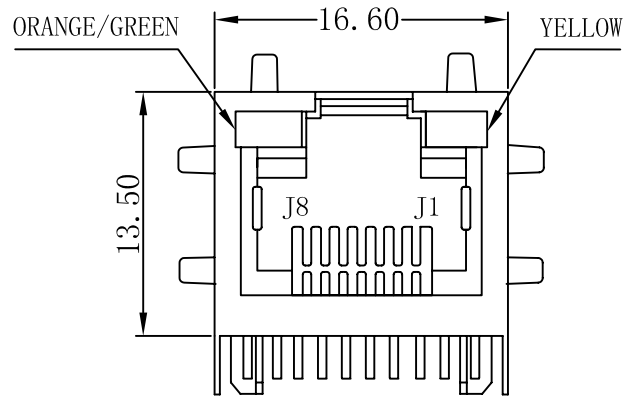


Mechanical:

REV.	ECN NO.	DESCRIPTION	DATE	APPD
A	REL		06/11/2008	



SUGGESTED PCB LAYOUT (TOP VIEW)



NOTES:

1. Designed to support application, such as SOHO (ADSL modems), LAN-on-Motherboard (LOM), hub and Switches.
2. Meets IEEE 802.3 specification
3. Connector Materials:
 Housing: Thermoplastic UL94V-0
 Contact/Shield: Copper alloy
 Shield plating: Nickel
 Contact plating: Gold 6 micro-inches min. In contact area.
4. Wave solder tip temperature: 265°C Max
 Wave solder tip temperature time: 5 Sec Max

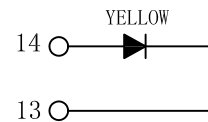
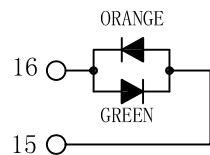
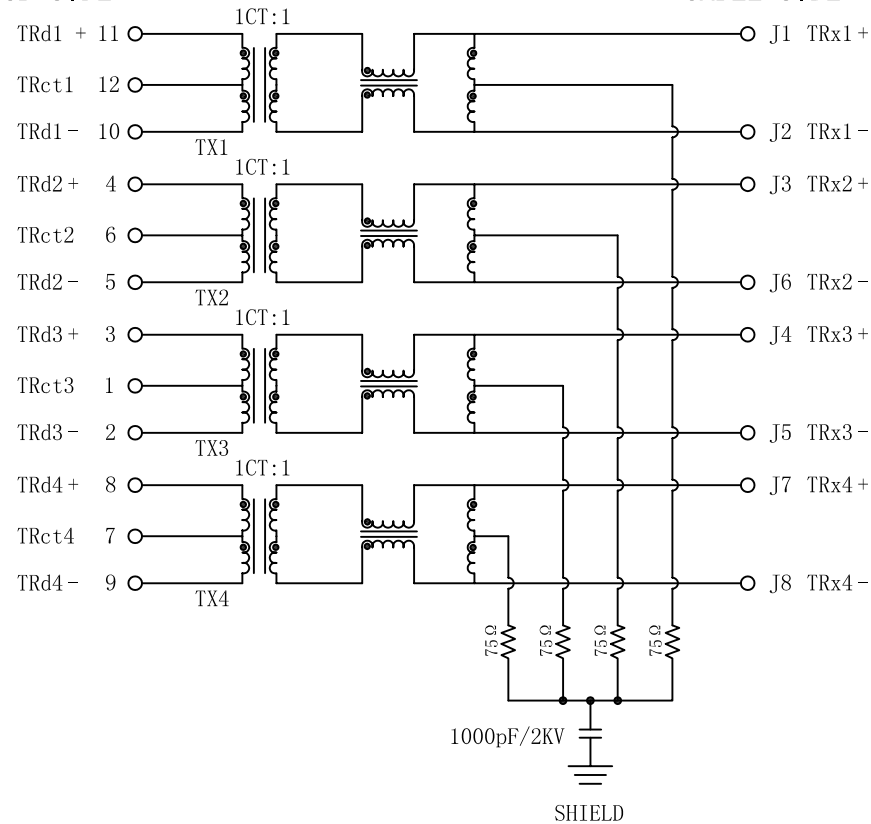
X:X	±0.20	APPD:	LINK-PP INT'L TECHNOLOGY CO., LIMITED
X:XX	±0.10	CHKD:	
X:XXX	±0.05	DR: TOM	Title: RJ45 Connector with 1000 Base-TX Integrated Magnetic
ANGLES	±1°	UNIT: mm	PART NO.: LPJK0071AONL
	SCALE: 2/1	SHEET: 1/2	REV: A
			DWG NO.: LP08110601

Schematic:

REV.	ECN NO.	DESCRIPTION	DATE	APPD
A	REL		06/11/2008	

PCB SIDE

CABLE SIDE



Electrical Specifications @25°C

- Turns Ratio ($\pm 2\%$):
TX=1CT:1 RX=1CT:1
- Insertion Loss:
1-100MHz: -1.0dB max
- Return Loss (dB min):
1-10MHz: -20 30MHz: -16
60-80MHz: -12 80-100MHz: -10
- Crosstalk (dB min):
1-10MHz: -40 32-65MHz: -35
65-100MHz: -30
- CMR (dB min):
1-125MHz: -30 125-500MHz: -20
- Hi-Pot: 1500Vrms @60Hz
- OCL:
350uH min @100KHz/0.1Vrms 8mA DC BIAS
- Operating Temperature: 0°C ~ 70°C.

X:X	± 0.20	APPD:	LINK-PP INT'L TECHNOLOGY CO., LIMITED	
X:XX	± 0.10	CHKD:	Title: RJ45 Connector with 1000 Base-TX Integrated Magnetic	
X:XXX	± 0.05	DR: TOM	PART NO.: LPJK0071AONL	
ANGLES	$\pm 1^\circ$	UNIT: mm		
	SCALE: 2/1	SHEET: 2/2	REV: A	DWG NO.: LP08110601