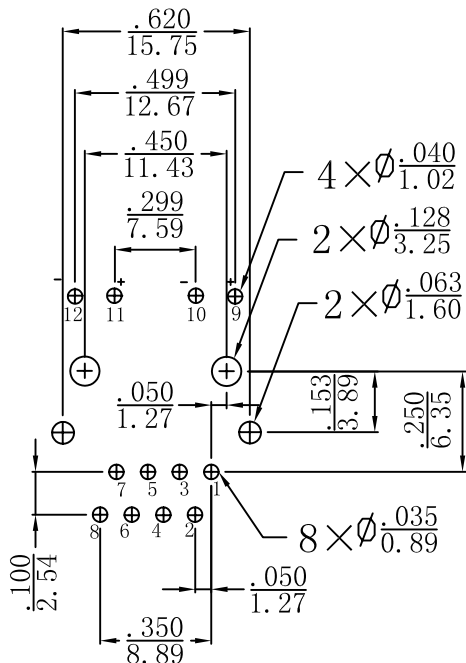
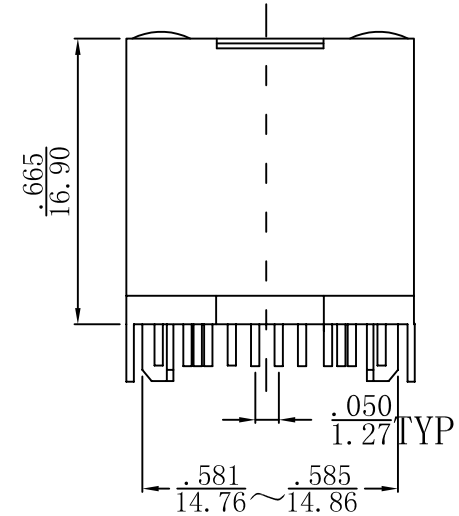
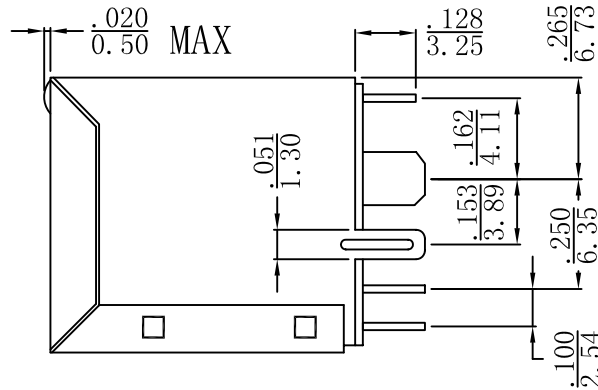
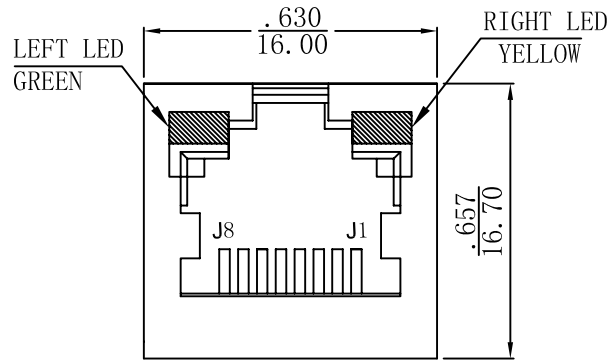
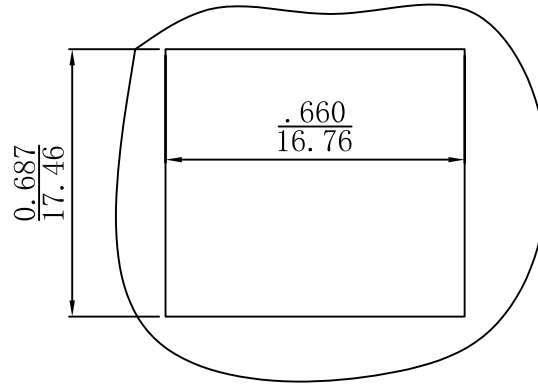


# Mechanical:

REV.	ECN NO.	DESCRIPTION	DATE	APPD
A	REL		2010/05/27	



SUGGESTED PCB LAYOUT (TOP VIEW)



RECOMMENDED PANEL CUTOUT DIMENSION



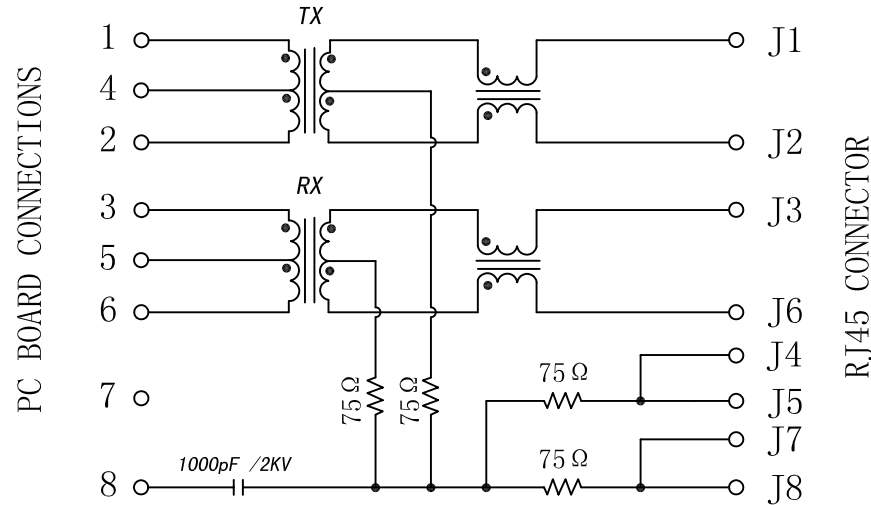
## NOTES:

1. Designed to support application, such as SOHO (ADSL modems), LAN-on-Motherboard (LOM), hub and Switches.
2. Meets IEEE 802.3 specification
3. Connector Materials:  
Housing: Thermoplastic UL94V-0  
Contact/Shield: Copper alloy  
Shield plating: Nickel  
Contact plating: Gold 6 micro-inches min. In contact area.
4. Wave solder tip temperature: 265°C Max  
Wave solder tip temperature time: 5 Sec Max

X:X	±0.20	APPD:	LINK-PP INT'L TECHNOLOGY CO., LIMITED	
X:XX	±0.10	CHKD:	Title: Vertical RJ45 Connector With 10/100 Magnetic	
X:XXX	±0.05	DR: TOM	PART NO.: LPJD0011BENL	
ANGLES	±1°	UNIT: Inches/mm		
	SCALE: 2/1	SHEET: 1/2	REV: A	DWG NO.: LP10052704

# Schematic:

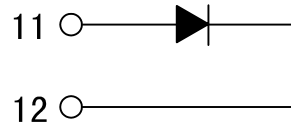
REV.	ECN NO.	DESCRIPTION	DATE	APPD
A	REL		2010/05/27	



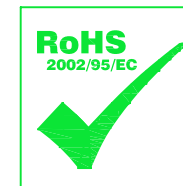
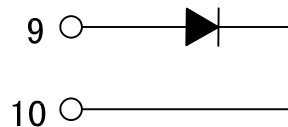
## Electrical Specifications @25°C

- Turns Ratio:  
TX=1CT:1CT      RX=1CT:1CT
- Inductance(@100KHz 0.1V 8mA): 350uH Min
- Insertion Loss:  
1-65MHz:-1.0dB Max
- Return Loss(dB Min):  
1-30MHz:-18      40MHz:-16  
50MHz:-12      60MHz:-10
- Crosstalk(dB Min):  
30MHz:-40      60MHz:-35  
100MHz:-30
- CMR:(dB Min):  
30MHz:-30      60MHz:-20  
100MHz:-20
- HI-POT:1500V
- Operating Temperature:0°C~70°C.

GREEN/LEFT LED



YELLOW/RIGHT LED



X:X	±0.20	APPD:	LINK-PP INT'L TECHNOLOGY CO., LIMITED	
X:XX	±0.10	CHKD:	Title: Vertical RJ45 Connector With 10/100 Magnetic	
X:XXX	±0.05	DR: TOM	PART NO.: LPJD0011BENL	
ANGLES	±1°	UNIT: Inches/mm		
	SCALE: 2/1	SHEET: 2/2	REV: A	DWG NO.: LP10052704