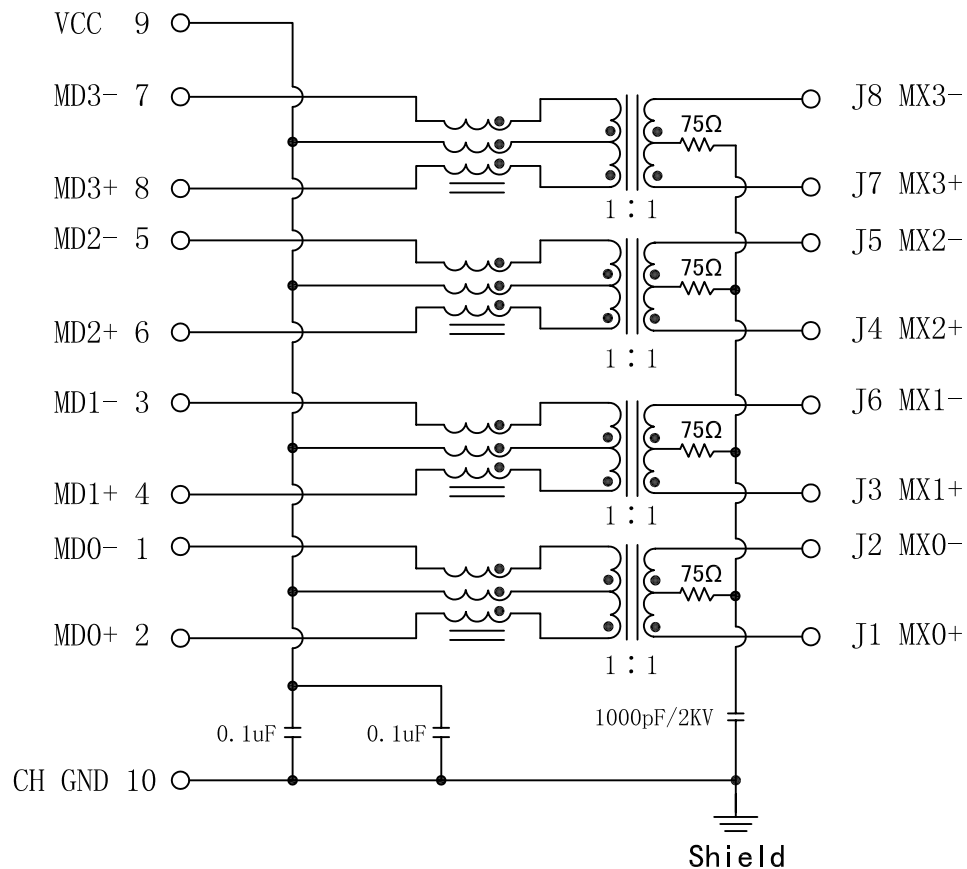


# Schematic:

REV.	ECN NO.	DESCRIPTION	DATE	APPD
A	REL		10/08/2009	

PCB CONNECTIONS



CABLE

## Electrical Specifications @ 25°C

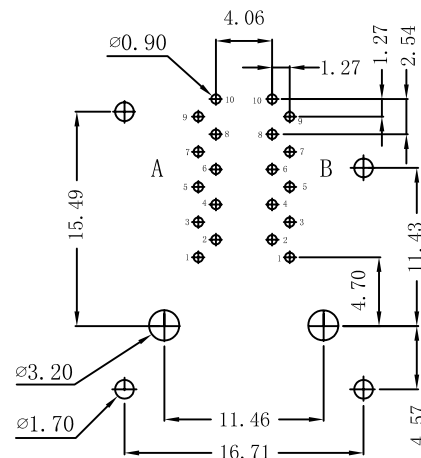
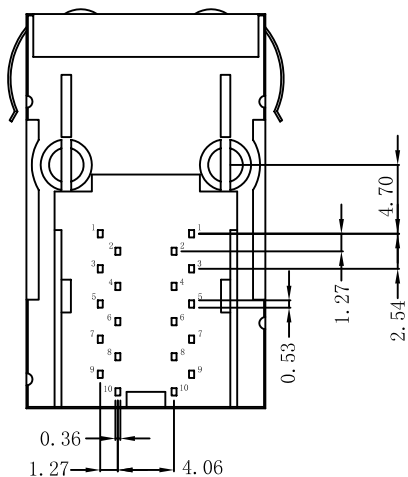
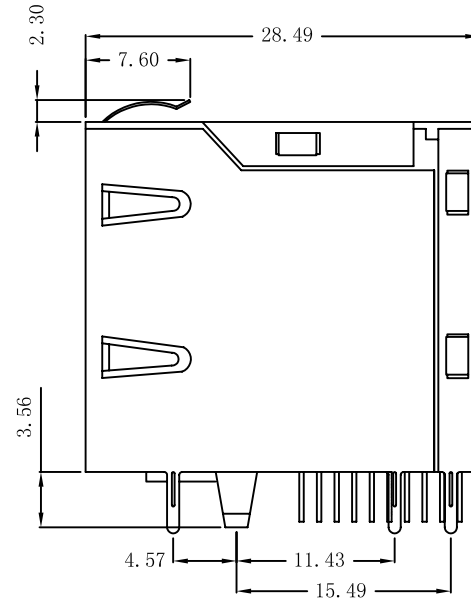
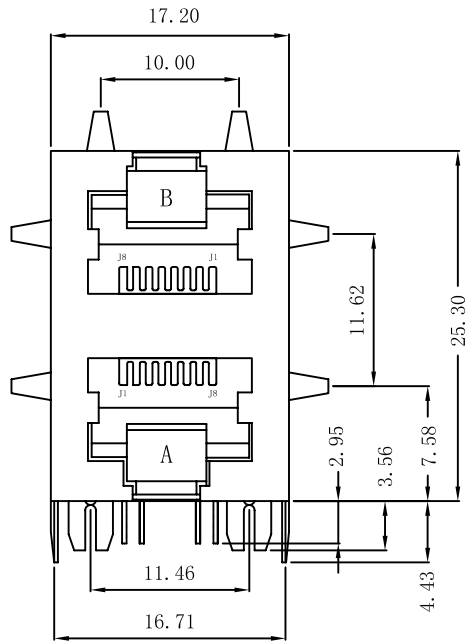
- Transmitter filter & Receiver filter  
Type: Balance low pass 100Ω impedance  
Insertion Loss:  
1~65MHz: -1.0dB MAX  
Return Loss:  
1~10MHz: -20dB TYP. load 100Ω±15Ω  
30MHz: -16dB TYP. load 100Ω±15Ω  
60~80MHz: -12dB TYP. load 100Ω±15Ω
- Inductance (@ 100KHz, 0.1V, 8mA DC BIAS):  
350uH MIN
- Crosstalk:  
1~10MHz: -40dB MIN  
32~60MHz: -35dB MIN  
60~100MHz: -30dB MIN
- Common Mode Rejection:  
1~50MHz: -30dB TYP  
50~130MHz: -20dB TYP
- Hipot: 1500Vrms MIN @60Hz 1 MIN
- Operating Temperature: 0°C ~ +70°C.



X:X	±0.20	APPD:	LINK-PP INT'L TECHNOLOGY CO., LIMITED	
X:XX	±0.10	CHKD:	Title: RJ45 Transformer.1000 Base-T	
X:XXX	±0.05	DR: TOM	PART NO. : LPJG17547CNL	
ANGLES	±1°	UNIT: mm	DWG NO. : LP09081002	
SCALE: 2/1		SHEET: 1/2		REV: A

# Mechanical :

REV.	ECN NO.	DESCRIPTION	DATE	APPD
A	REL		10/08/2009	



Suggested PCB Layout (TOP VIEW)

## NOTES:

1. Designed to support application, such as SOHO (ADSL modems), LAN-on-Motherboard (LOM), hub and Switches.
2. Meets IEEE 802.3 specification
3. Connector Materials:  
Housing: Thermoplastic UL94V-0  
Contact/Shield: Copper alloy  
Shield plating: Nickel  
Contact plating: Gold 6 micro-inches min. In contact area.
4. Wave solder tip temperature: 260°C.  
Wave solder tip temperature time: 5 Sec.



X:X	±0.20	APPD:	LINK-PP INT'L TECHNOLOGY CO., LIMITED	
X:XX	±0.10	CHKD:	Title: RJ45 Transformer. 1000 Base-T	
X:XXX	±0.05	DR: TOM	PART NO. : LPJG17547CNL	
ANGLES	±1°	UNIT: mm	DWG NO. : LP09081002	
	SCALE: 2/1	SHEET: 2/2	REV: A	