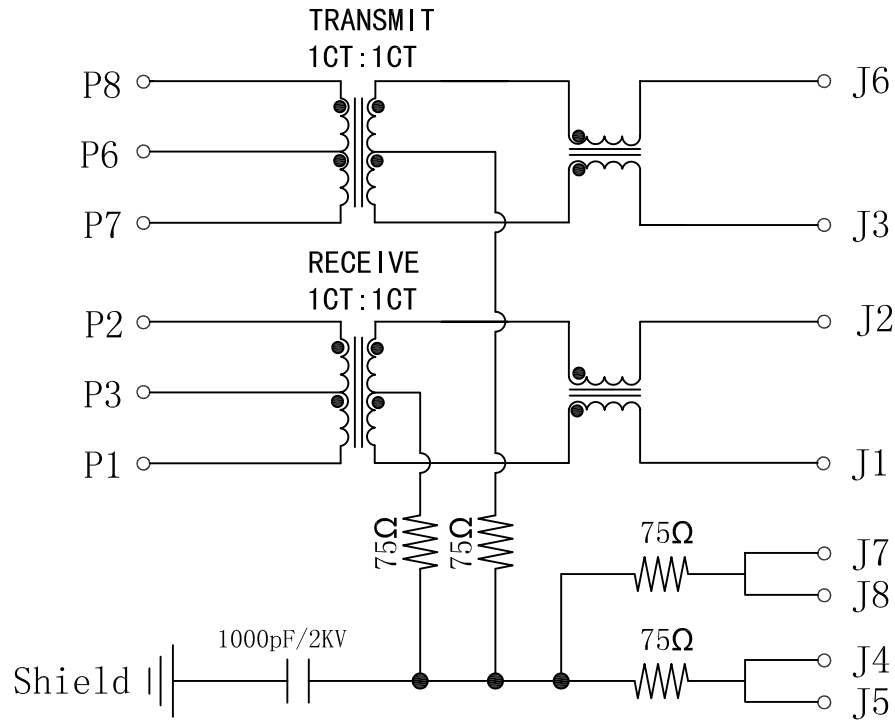


# Schematic:

REV.	ECN NO.	DESCRIPTION	DATE	APPD
A	REL		10/08/2009	

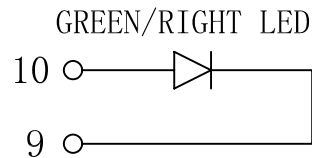
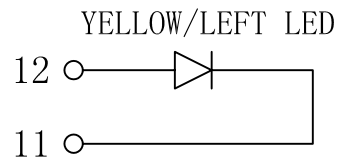
PCB SIDE TO PHY



CABLE SIDE

## Electrical Specification@25°C:

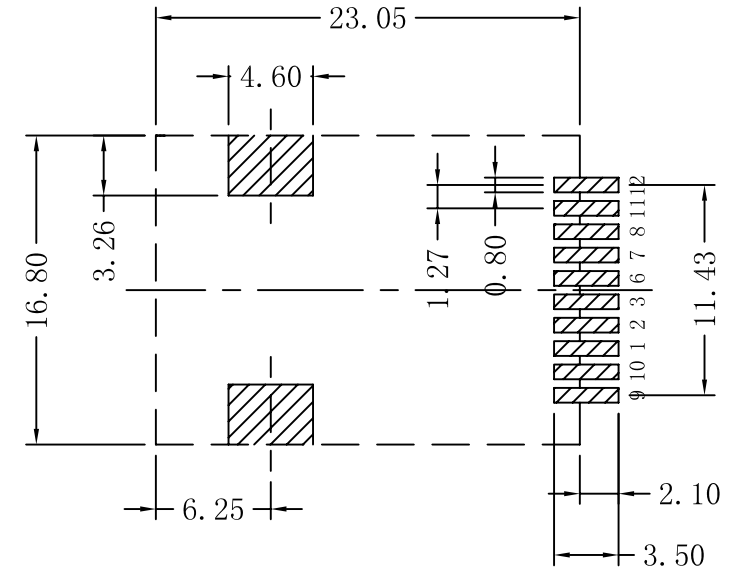
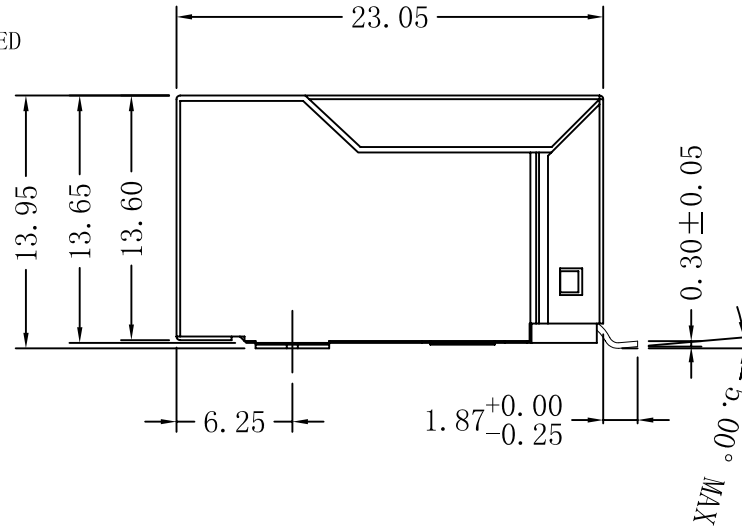
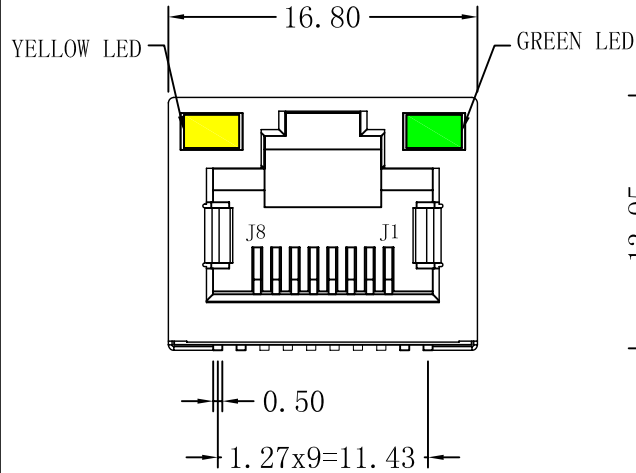
- Turns Ratio ( $\pm 2\%$ ) :  
TX=1CT:1CT      RX=1CT:1CT
- 350uH Min OCL with 8mA bias current
- Return Loss(dB Min @100Ω):  
1-60MHz:-14      60-100MHz:-10
- Crosstalk: 1-80MHz:-35dB Min
- Insertion Loss(dB Max):  
1-80MHz:-1.0      100MHz:-1.2
- IR Reflow peak temperature: 260 degc.
- Isolation Voltage:1500Vrms Min
- Operating Temperature:0~70°C



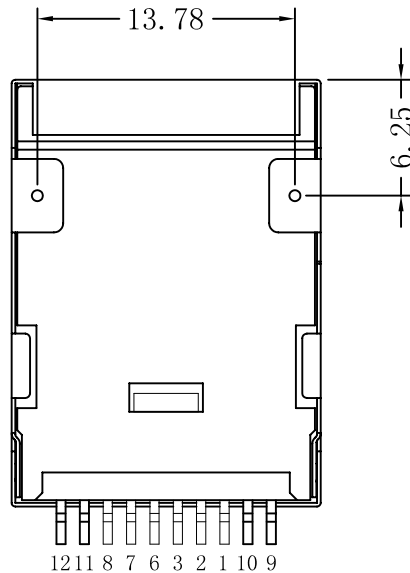
X:X	$\pm 0.30$	APPD:	LINK-PP INT'L TECHNOLOGY CO., LIMITED	
X:XX	$\pm 0.25$	CHKD:	TITLE: Surface Mount 1X1 Tab-Up Jack With 10/100 Magnetic	
X:XXX	$\pm 0.05$	DR: TOM	PART NO.: LPJ19201BGNL	
ANGLES	$\pm 1^\circ$	UNIT: mm		
	SCALE: 2/1	SHEET: 1/2	REV: A	DWG NO.: LP09081008

# Mechanical:

REV.	ECN NO.	DESCRIPTION	DATE	APPD
A	REL		10/08/2009	



SUGGESTED PCB LAYOUT (TOP VIEW)



## NOTES:

1. Designed to support application, such as SOHO (ADSL modems), LAN-on-Motherboard (LOM), hub and Switches.
2. Meets IEEE 802.3 specification
3. Connector Materials:  
 Housing: Thermoplastic UL94V-0  
 Contact/Shield: Copper alloy  
 Shield plating: Nickel  
 Contact plating: Gold 6 micro-inches min. In contact area.
4. Wave solder tip temperature: 265°C Max  
 Wave solder tip temperature time: 5 Sec Max



X:X	±0.30	APPD:	LINK-PP INT'L TECHNOLOGY CO., LIMITED
X:XX	±0.25	CHKD:	
X:XXX	±0.05	DR: TOM	TITLE: Surface Mount 1X1 Tab-Up Jack With 10/100 Magnetic
ANGLES	±1°	UNIT: mm	PART NO.: LPJ19201BGNL
	SCALE: 2/1	SHEET: 2/2	REV: A
			DWG NO.: LP09081008